

Thank you for purchasing the KRG 10/22 Bravo Chassis. We hope that you enjoy your chassis and we think that you'll find it to be high quality and an exceptional value.



INST-BRV-1022

10/22 Bravo Chassis

Contents of Package:

- 1ea LOP Spacer .750 with mounting screws
- 1ea Forend Backer Nut Kit (for mounting accessories):
- 4ea M5 Hex Nut
- 4ea M5 Flat Weld Nut

Installation Instructions:

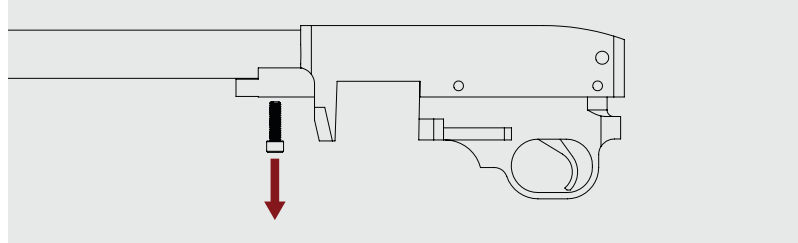


Safety Warning: Before you attempt any installation, make sure your magazine is removed and rifle is unloaded.

Part I: Remove action from existing chassis/stock

Step 1: Loosen and remove the screw that holds the action into the stock. Push in the safety button halfway when disassembling so it doesn't get hung up on the stock. Next pull the barreled action out of the stock.

Note: You will not reuse the action screw that came with your 10/22 action.

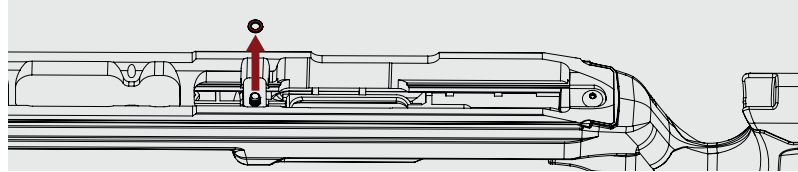


Part II: Install your action into the 10/22 Bravo Chassis

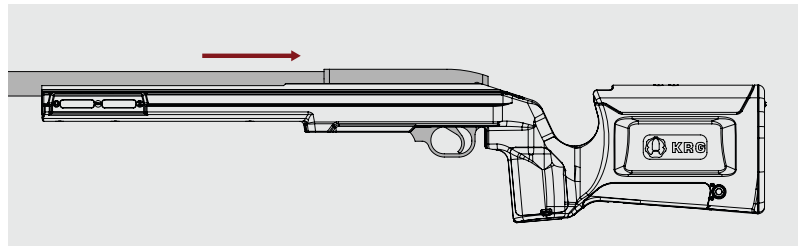
Step 1: Remove green o-ring from 10/22 Bravo action screw that comes included with the chassis. Make sure the spacer block and the action screw stay in their position (it may be necessary to hold action screw in place with 5/32" allen key).

Step 2: Before inserting barreled action carefully push/manipulate the safety button halfway when assembling so it doesn't get hung up on the stock.

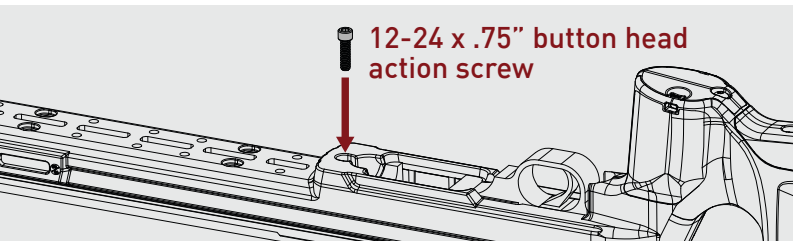
Insert barreled action into stock at an angle.



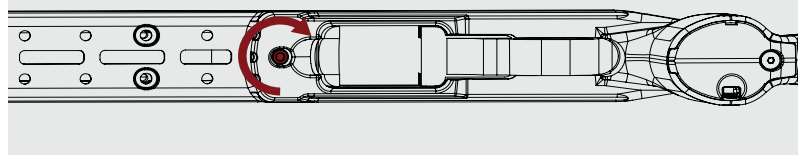
Step 3: Slide barreled action all the way back towards buttstock.



Step 4: Using 5/32" hex bit or allen key tighten action screw to manufacturer recommended torque of 20 in-lbs.



Torque to 20 in-lbs



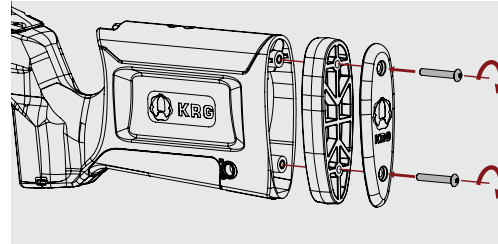
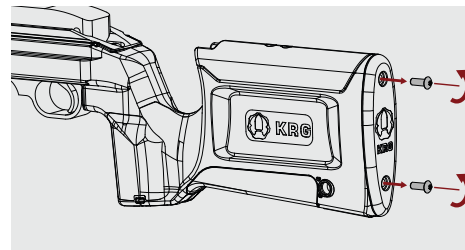
Time to adjust the stock to fit you!

Length of Pull (LOP) Adjustment

Step 1: Remove the buttplate using a 3mm metric hex/allen wrench.

Step 2: Remove the installed buttplate mounting screws out of the buttplate. Replace these screws with the longer screws, which were included with the 3/4" LOP spacer.

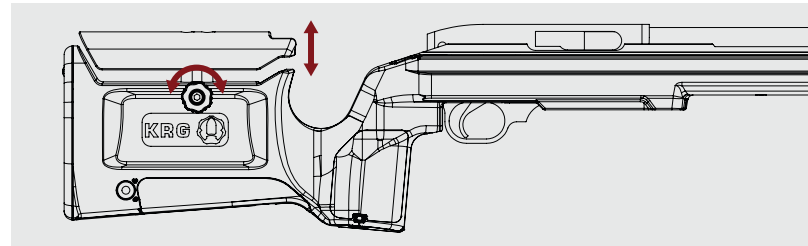
Step 3: Install the buttplate back onto the stock with the spacer captured between them.



Cheek Height Adjustment

Tool-less cheek height adjustment

Step 1: Loosen the thumbscrew and move the cheekpiece to your desired position.



Installing Accessories

This will require removal of the barreled action and the aluminum backbone to get full access to forend

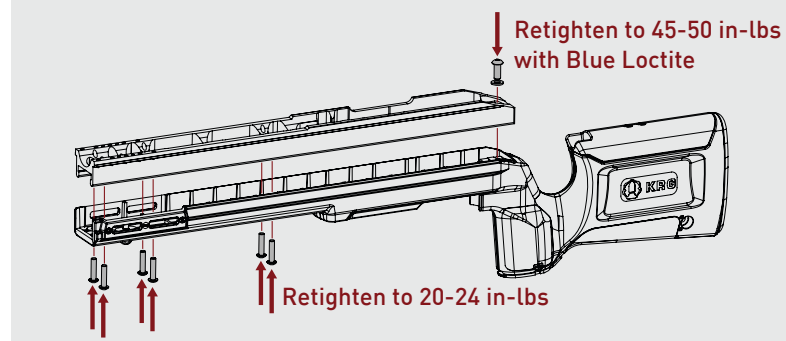
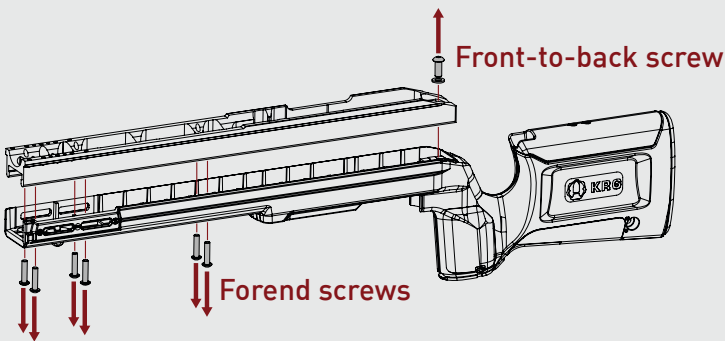
Step 1: Remove the barreled action from the chassis. (Part II Step 2,3)

Step 2: Remove the front-to-back screw and washer.

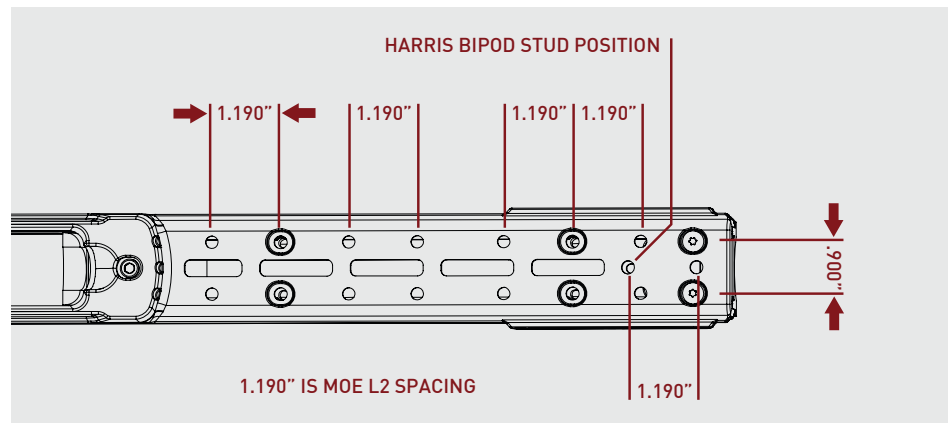
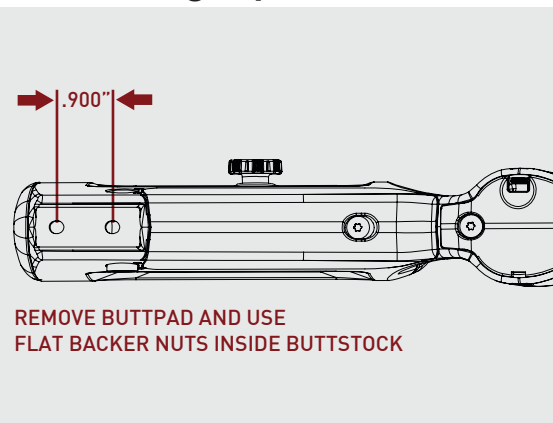
Step 3: Remove all 6 forend screws.

Step 4: Install KRG accessory or hardware.

Step 5: Place backbone back into chassis, retighten front-to-back screw to 45-50 in-lbs and all 6 forend screws to 20-24 in-lbs.



Mounting Options Data



Troubleshoot Guide:

10/22 Bravo Fitment – Barrel Does Not Free Float



Items required are included:

- 1ea 0.010" Shim
- 1ea 0.020" Shim
- 1ea Spacer Block B (already installed in the chassis)

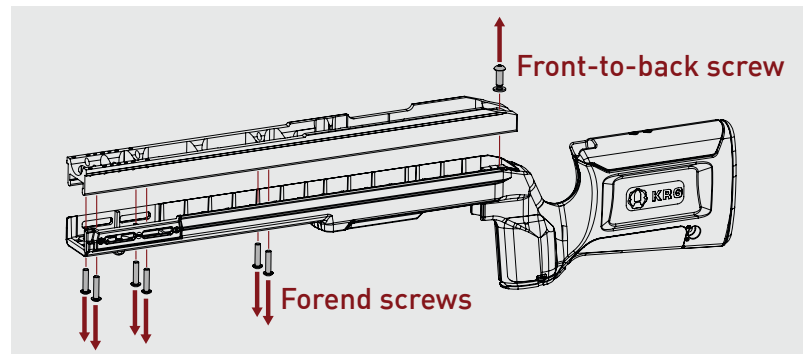
Possible Causes:

1. Loose Rear Receiver Fit:

This issue can occur due to variation between different manufacturer's trigger guard design. Prior to installing the front action screw, when the receiver is slid all the way back into the chassis, the rear of the receiver should fit snug without much movement. If you already have a tight fitting rear receiver skip to **bullet 2** below.

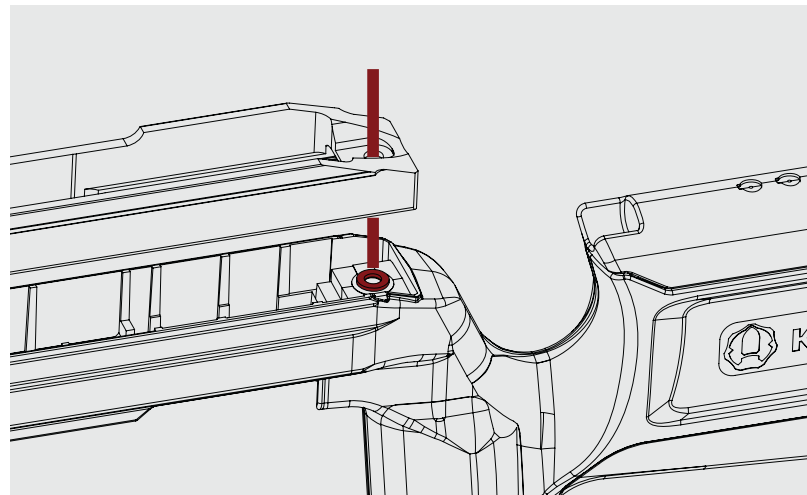
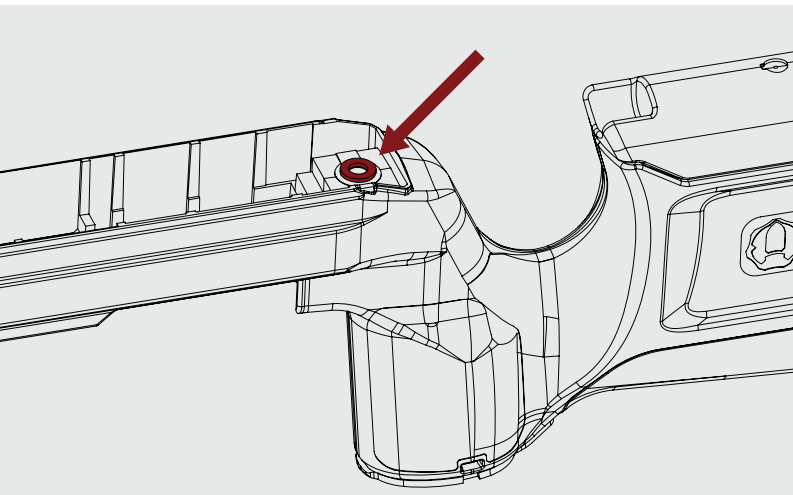
Solution:

Step 1: Remove backbone from the chassis.



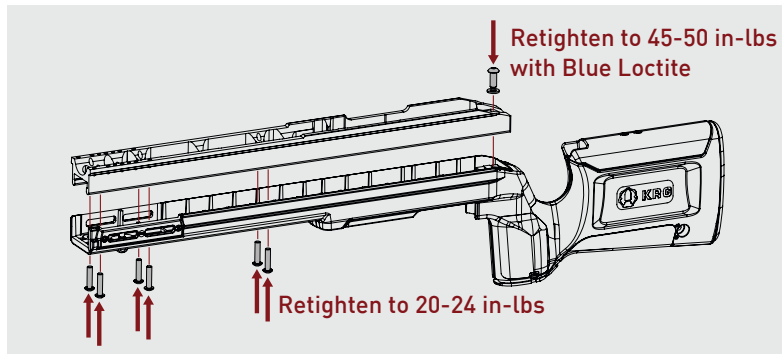
Step 2: Two shims have been provided, one 0.010" and one 0.020" thick. You can use them individually or together to create a 0.030" shim to achieve a snug fit. Place the desired shim(s) between the bottom of the backbone and the molded stock where the front-to-back screw will pass through the shim.

Step 3: Place backbone back into the chassis. It is easiest to hold the shim(s) in place by putting an allen wrench through the clearance hole in the backbone, shim(s), and into the threaded hole during assembly. This will keep the shim from sliding around while getting the backbone into place.



Step 4: Re-install front-to-back screw making sure that it passes through the shim(s). Retighten the 6 forend screws.

Step 5: Install barreled action (Part II Installation Instructions) into 10/22 Bravo Chassis and test fitment. If barrel still sits too low, continue to **bullet 2**.

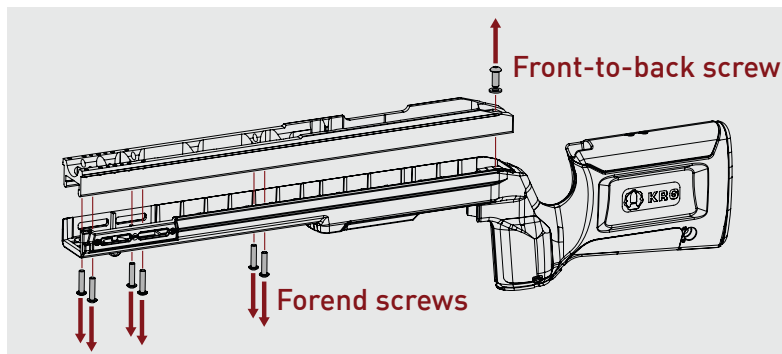


2. Front of Receiver Sitting Too Low:

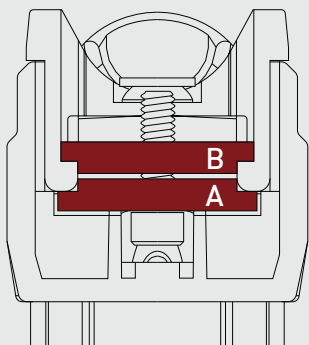
The front mounting surface height may vary depending on receiver manufacturer.

Solution:

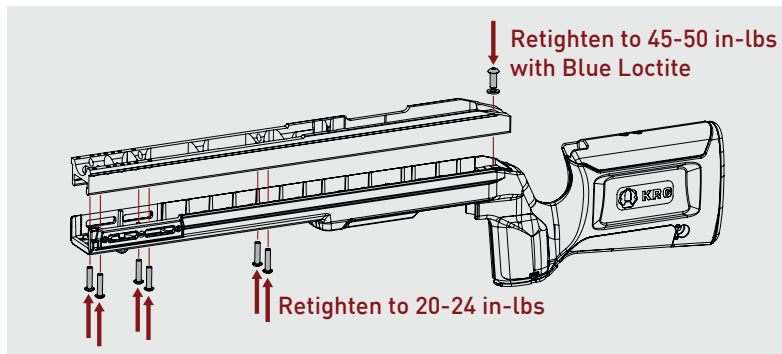
Step 1: Remove backbone from the chassis.



Step 2: Reassemble with the A block underneath the backbone and **B Block** between the backbone and receiver as shown below.



Step 3: Re-install front-to-back screw and the 6 forend screws.



Step 4: Install barreled action (Part II Installation Instructions) into 10/22 Bravo Chassis and test fitment.

3. Barrel Not Aligned with Receiver

Please consult with the Receiver manufacture to ensure proper barrel fitment protocol.