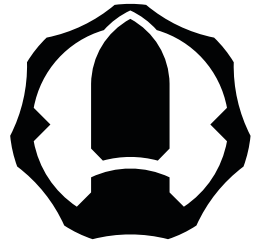


Thank you for purchasing the KRG Enclosed Forend T-slot Weight. We hope that you enjoy this accessory and we think that you'll find it to be high quality and an exceptional value.

TSLOT-TUB-HVY

Enclosed Forend T-slot Weight



KRG

Contents of Package:

- Enclosed Forend T-slot Weight
- Fasteners:
 - 14ea M5 x 8mm Set Screw



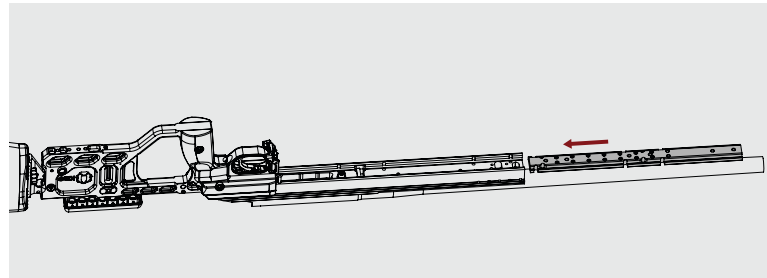
Safety Warning: Before you attempt any installation, make sure your rifle is unloaded. Also, before starting remove the bolt and magazine from the rifle.

Installation Instructions:

Install Enclosed Forend T-slot Weight

Step 1: Remove the existing screws holding enclosed forend in place and remove enclosed forend.

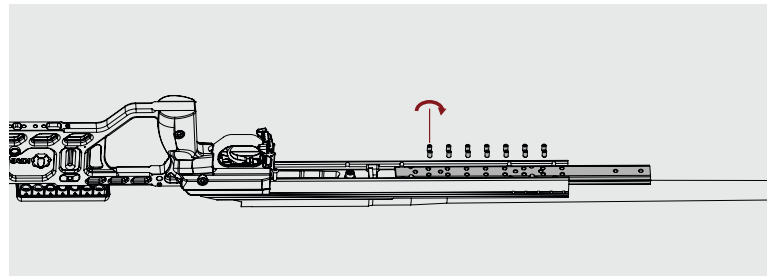
Step 2: Slide T-Slot Weight into the bottom of the backbone.



Step 3: Align the clearance locations in the Weight with the forend mounting locations in the backbone.

Step 4: Thread Set Screws in tapped holes in the Weight until they tighten against the backbone.

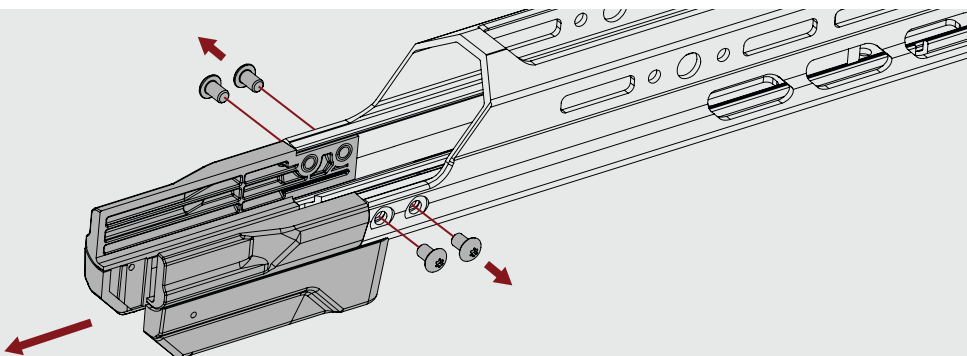
Note: Not all threaded holes in Weight require a set screw. Use holes that will tighten against backbone.



Step 5: Replace Enclosed Forend.

For Rem 700 Enclosed Forend only:

Disassembling the magwell from enclosed forend is required to clear magwell spacer past installed enclosed forend t-slot weight



Step 1: Remove screws attaching magwell to enclosed forend.

Step 2: Slide magwell back out of enclosed forend.

Step 3: Install magwell and enclosed forend back onto the chassis as two separate parts and retighten the screws attaching magwell to enclosed forend.