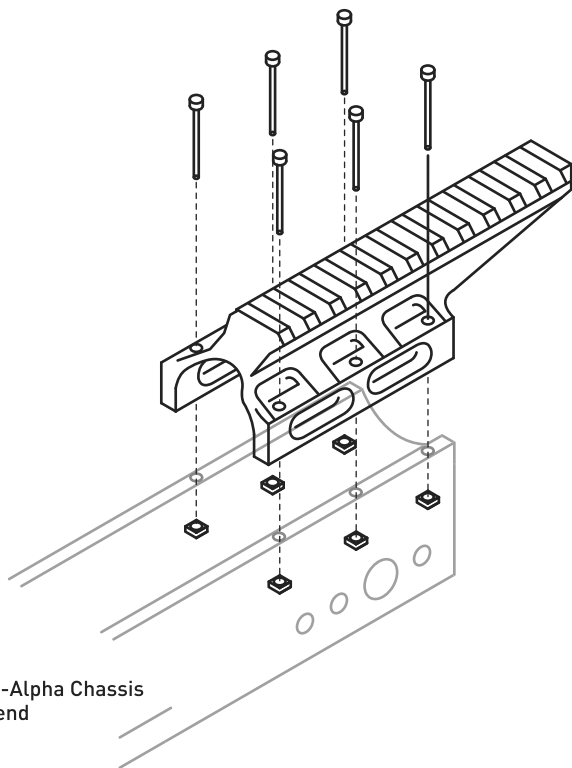


# NV MOUNT CAP

Tools required: 7/64 hex key

Fits: 180-Alpha Chassis



180-Alpha Chassis  
forend