

AMBI SLING MOUNT

Tools required:

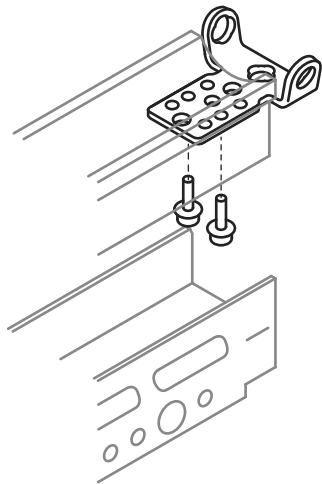
3mm hex key (Whiskey-3 gen 3-5, and all X-Ray)

4mm hex key (Whiskey-3 gen 1 & 2, and all TRG's)

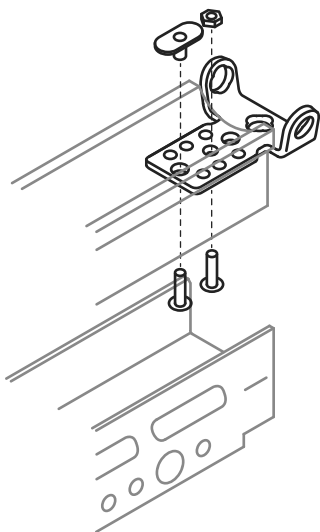
Fits: Whiskey-3 Chassis

X-Ray Chassis

Sako TRG-22/42



W-3 Chassis gen 3-5
all X-Ray
forend



W-3 Chassis gen 1-2
all TRG's
forend