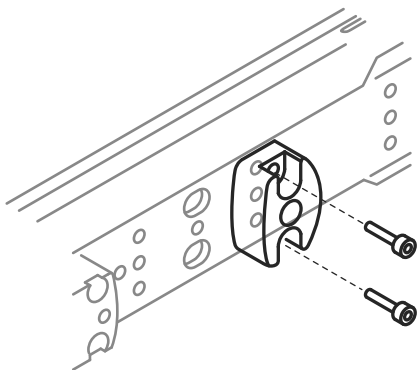


# BARRIER STOP

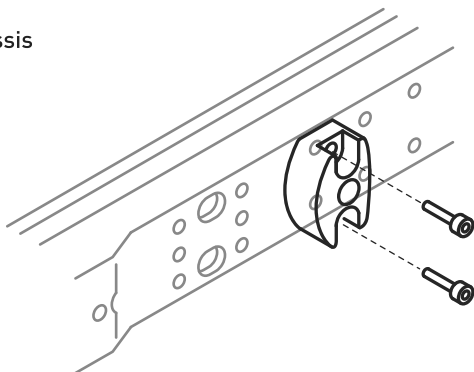
Tools required: 3mm hex key

Fits: Whiskey-3 Chassis

X-Ray Chassis



W-3 Chassis  
forend



X-Ray Chassis  
forend