

MAG RELEASE BUTTON (ALUMINUM)

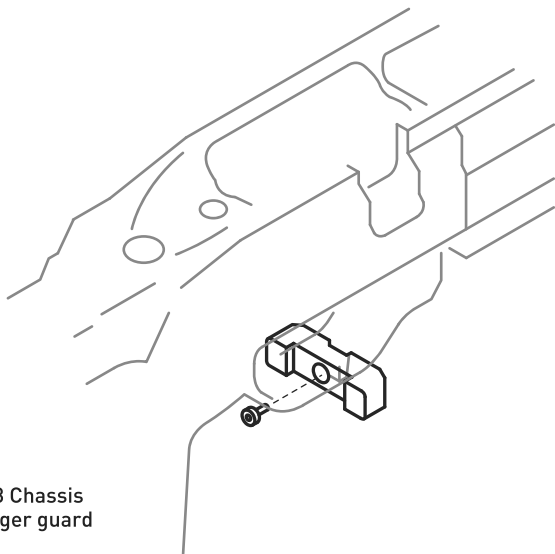
Tools required: 2.5mm hex key

Fits: Whiskey-3 Chassis

X-Ray Chassis gen 2

180-Alpha Chassis

180-Xray Chassis (Howa inlet)



W-3 Chassis
trigger guard