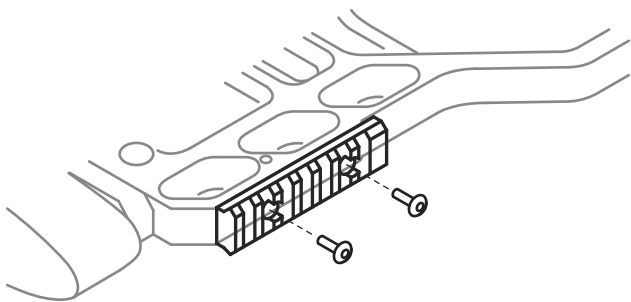


# MOE L3 RAIL

**Tools required:** 3mm hex key

**Fits:** Whiskey-3 Chassis, X-Ray Chassis



W-3 Chassis  
buttstock