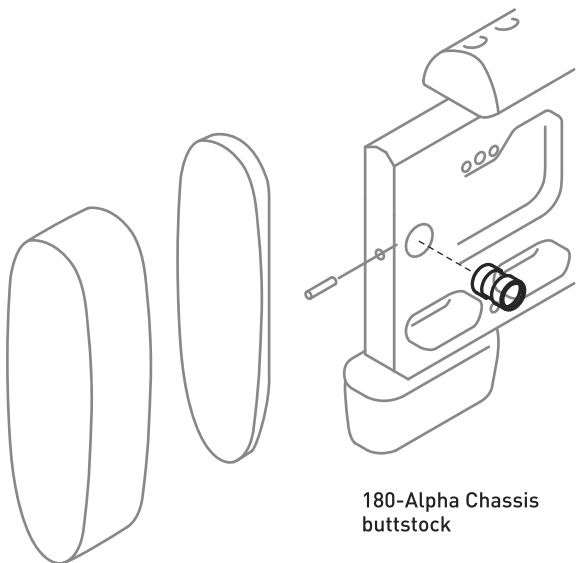


QD BUSHING

Tools required: 2.5mm hex key

Fits: 180-Alpha Chassis

Whiskey-3 Chassis gen 3-4



180-Alpha Chassis
buttstock