

We help the long-range shooter overcome the mediocrity of mass-produced rifles with our top tier chassis, accessories and complete rifles.

KRG was established conceptually in 2005 by a group of then active duty Army Special Forces soldiers. Being both professional and sport shooters, their passion led them to a deep understanding of the strong and weak points in the fielded equipment. They were not satisfied with the small arms or accoutrements available. Many products were only barely acceptable and, although some were very good, there was clearly a need for evolutionary enhancements as well as completely new products.

Philosophy:

In our designs, we work with a few basic premises, the fulfillment of which will lead to what we believe is the best possible product:

- A durable, attractive, innovative design that meets functionality requirements and balances cost, complexity, and features yields the best possible product.
- Design meets relevant functionality criteria.
- Functionality criteria are made relevant through input from end users and small arms professionals (not mutually exclusive).
- Cost is not exorbitant compared to similar products (we reserve the right to make one-off, fun, or ridiculously expensive items made of exotic materials at our discretion).
- Modularity is emphasized, though considered against cost, complexity and weight.
- Necessary features are incorporated, advance features are incorporated when the weight/cost penalty is not too high, superfluous features are discarded.
- Complexity is kept to a minimum to increase durability and manufacturability and to control cost.
- Product is durable as determined by in-house and end user testing.

Finally, some of our thoughts on innovation:

Many companies claim to innovate. The truth is that for many decades there have been few true innovations in the field of small arms. At best most companies can offer small evolutionary refinements in materials or cost or usability, etc. These refinements are not great innovations and you will not see us trumpeting them as such. At KRG, we use what works and has worked for many years. When a problem arises which necessitates innovation, we pour massive effort into a quality solution.




KRG
KRG-OPS.com

Our primary chassis line is broken up into four tiers: the Bravo, the X-Ray, the Whiskey-3 and the C-4.

C-4 CHASSIS



C-4 is our purpose built chassis with direct feedback from top competitors and trainers the C-4 is the epitome of the modern competition rifle chassis. With sought after features this chassis is designed to fit the shooter for maximum comfort and repeatability.

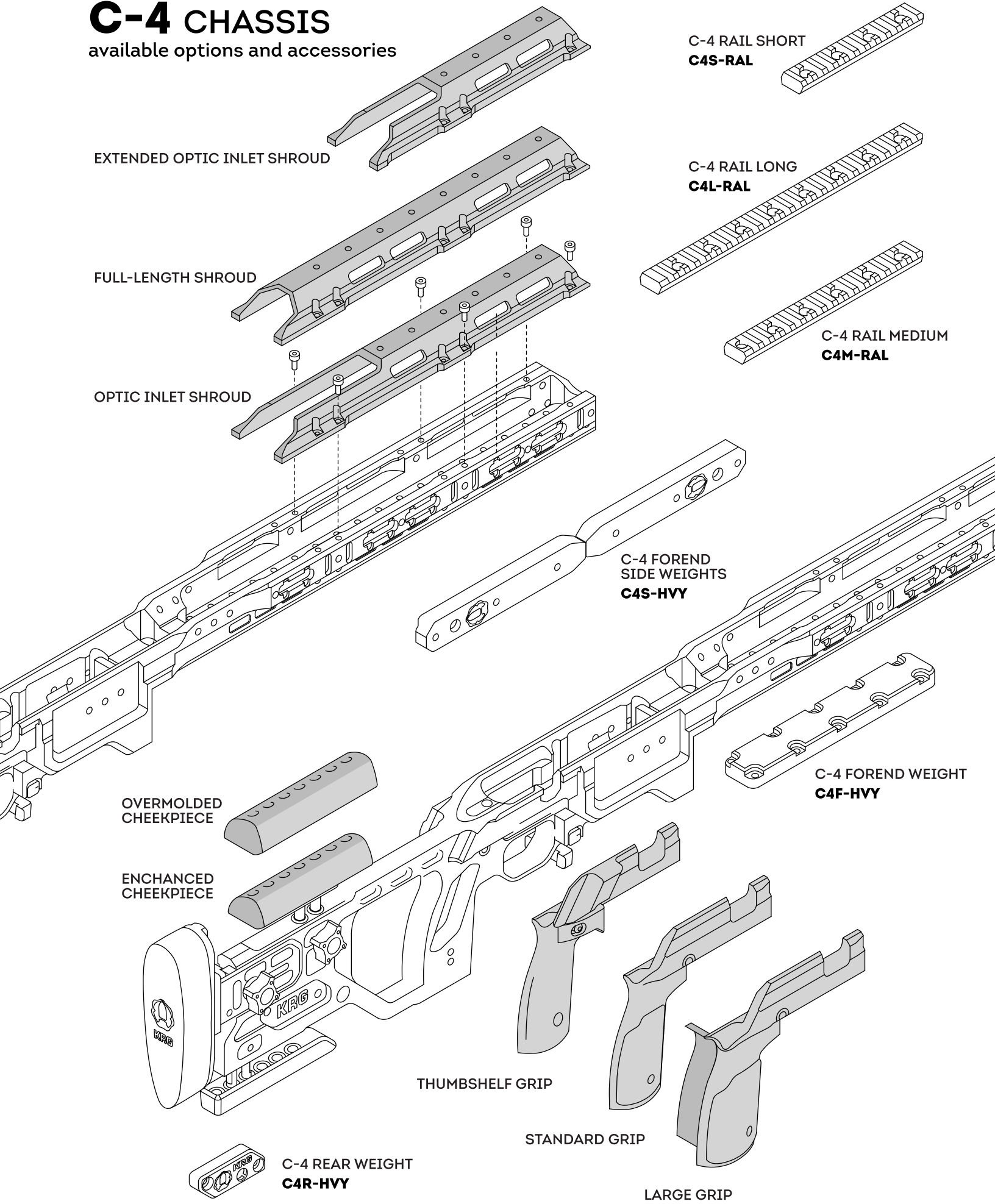
Tool-less length-of-pull	Adjustable cheekpiece height	Monolithic aluminum construction	Three options for removable barrel shroud
		Accepts receivers with trigger hangers	
			16 3/4" extended forend
			Integral full length ARCA rail
		Adjustable mag height and tension accepts AICS and AW magazines	Mounting points for weight customization
Tool-less recoil pad height and cant	Adjustable height bag rider	Removable trigger finger rest grip with emphasized thumb rest	New multi-platform Δ-Lug mounting systems
		Extra tall mag fence / barrier stop	Weight: 6.3lbs Color: Black
		Two round quiver mounting point	

It is available for the following rifles:

- Remington 700 Short and Long Action
- Tikka T3/T3x/CTR (Short Action calibers only)

C-4 CHASSIS

available options and accessories



C-4 RAIL SHORT
C4S-RAL

EXTENDED OPTIC INLET SHROUD

C-4 RAIL LONG
C4L-RAL

FULL-LENGTH SHROUD

C-4 RAIL MEDIUM
C4M-RAL

OPTIC INLET SHROUD

C-4 FOREND
SIDE WEIGHTS
C4S-HVY

OVERMOLDED
CHEEKPIECE

C-4 FOREND WEIGHT
C4F-HVY

ENHANCED
CHEEKPIECE

THUMBSHELF GRIP

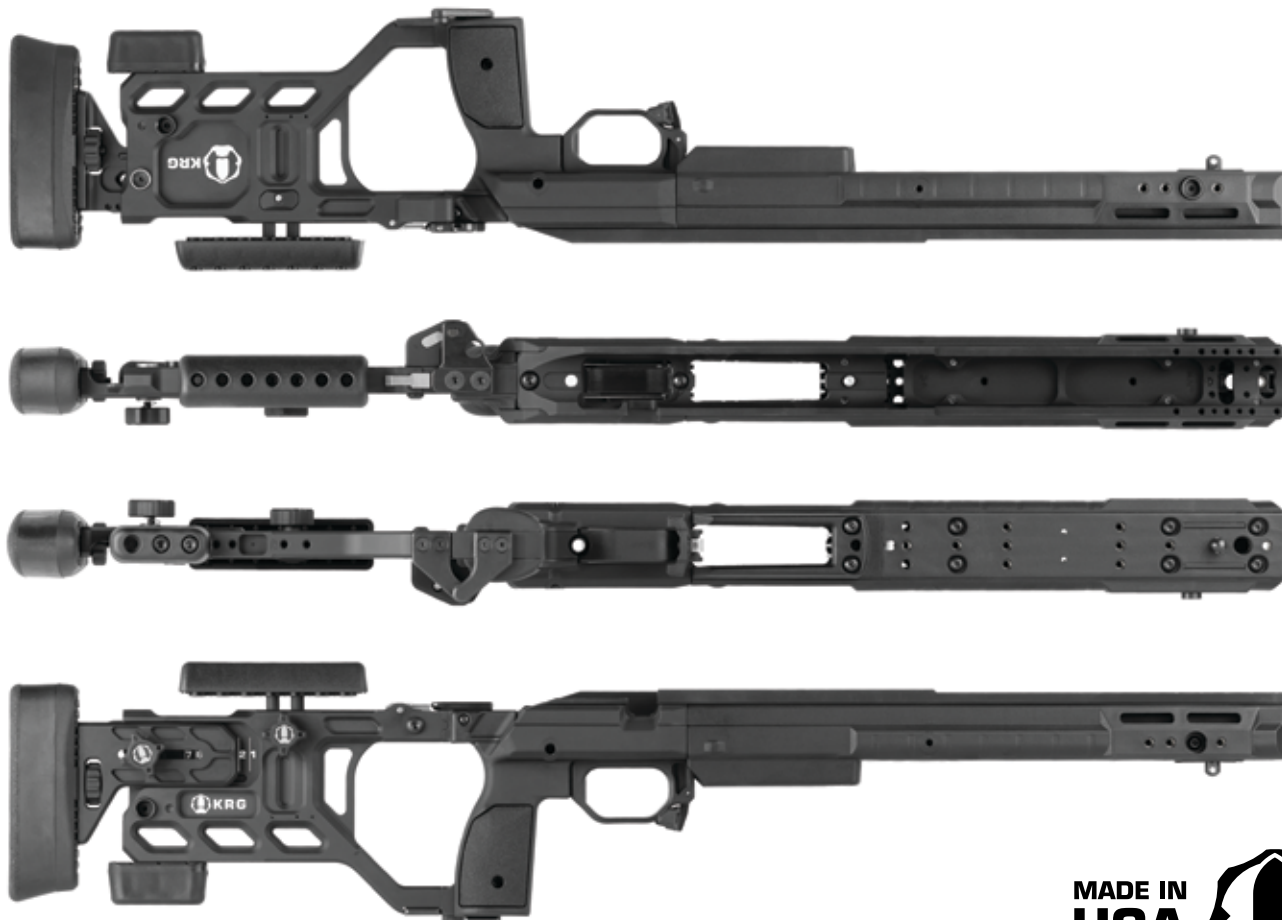
STANDARD GRIP

LARGE GRIP

C-4 REAR WEIGHT
C4R-HVY

Our primary chassis line is broken up into three tiers: the Bravo, the X-Ray, and our flagship chassis the Whiskey-3.

WHISKEY-3 CHASSIS



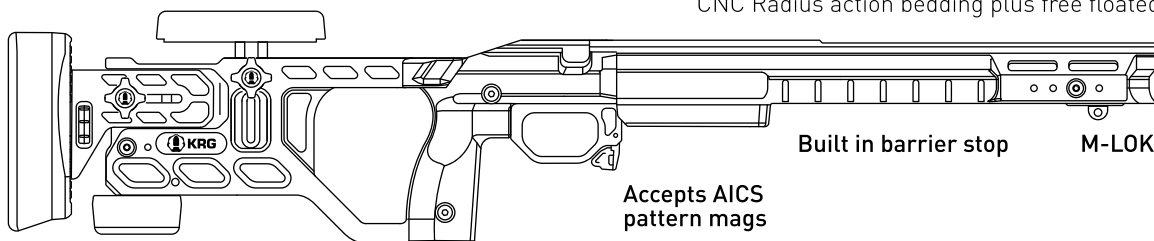
The Whiskey-3 is our premier chassis available for your bolt action precision rifle. It combines precise aluminum bedding with tool-less adjustments, durability, and superior ergonomics. Numerous types of accessories are available and can be added to attachment points along the chassis, including barrier stops, sling mounts, weights, rails, and many more.

Tool-less length of pull, buttpad height and cant adjustment

Tool-less cheekpiece height adjustments

Full length aluminum backbone
CNC Radius action bedding plus free floated barrel

KRG recoil pad
light, durable, and comfortable to shoot



Built in barrier stop

M-LOK compatible

Accepts AICS pattern mags

Quick interchangeable grip size panels

Weight: 3.8lbs fixed; 4.1lbs folding
Color: Black, FDE, Sako Green, Stealth Grey, Crimson Red



Available in **fixed and folding stock versions** for the following rifles:

Remington 700 Short and Long Action
Tikka T3/T3x/CTR (Short Action calibers only)

Sako TRG-22 and TRG-42
Sako M995

Badger 2008/13 Long Action
TAC-338

X-RAY CHASSIS

NEW GEN 5
2024 Q2



**MADE IN
USA**



The X-Ray offers unprecedented value with its light weight, competitive price, and nearly identical ergonomics to the Whiskey-3. To accomplish all this we kept the features that everyone wants and needs and eliminated those that weren't necessary. The end result is a hybrid aluminum and polymer chassis that we know you'll love.

Tool-less buttpad height and cant adjustment

Tool-less cheekpiece adjustments with ambidextrous thumbscrew

**Full length aluminum backbone
CNC Radius action bedding plus free floated barrel**

**KRG recoil pad
light, durable, and comfortable to shoot**

Built in barrier stop

M-LOK compatible

Accepts AICS pattern mags

**Adjustable length of pull
includes 3 spacers and the hardware to mount either 1, 2, or 3 allowing a max LOP of about 14" more spacers available for longer LOP**

Quick interchangeable grip size panels

**Weight: 3lbs
Color: Black, FDE, Sako Green, Stealth Grey**

A row of four color swatches corresponding to the available colors: Black, FDE (Flat Dark Earth), Sako Green, and Stealth Grey.

It is available for the following rifles:

- Remington 700 Short and Long action**
- Tikka T3/T3x/CTR (Short Action calibers only)**

BRAVO CHASSIS

NEW GEN 2
2024 Q2



**MADE IN
USA**



The Bravo provides you with the essential benefits of a chassis combined with conventional target/varmint stock ergonomics all at a modest price. Featuring the adjustments you need to fit your frame and plenty of modularity for future upgrades, the Bravo is a home run for the beginner or the hardcore enthusiast alike!

Adjustable tool-less cheekpiece

Full length aluminum backbone
CNC Radius action bedding plus free floated barrel

LOP = 12 7/8" - 14"
or up to 15 1/8" with 6 spacers

KRG recoil pad
light, durable, and comfortable to shoot

Accepts AICS pattern mags

Built in barrier stop

M-LOK compatible

Adjustable length of pull
includes 3 spacers and the hardware to mount either 1, 2, or 3 allowing a max LOP of about 14" more spacers available for longer LOP

Integrated butthook with cover
continuous angled lower surface or a "butthook" configuration

Weight: 2.9 lbs
Color: **Black, FDE, Sako Green, Stealth Grey**

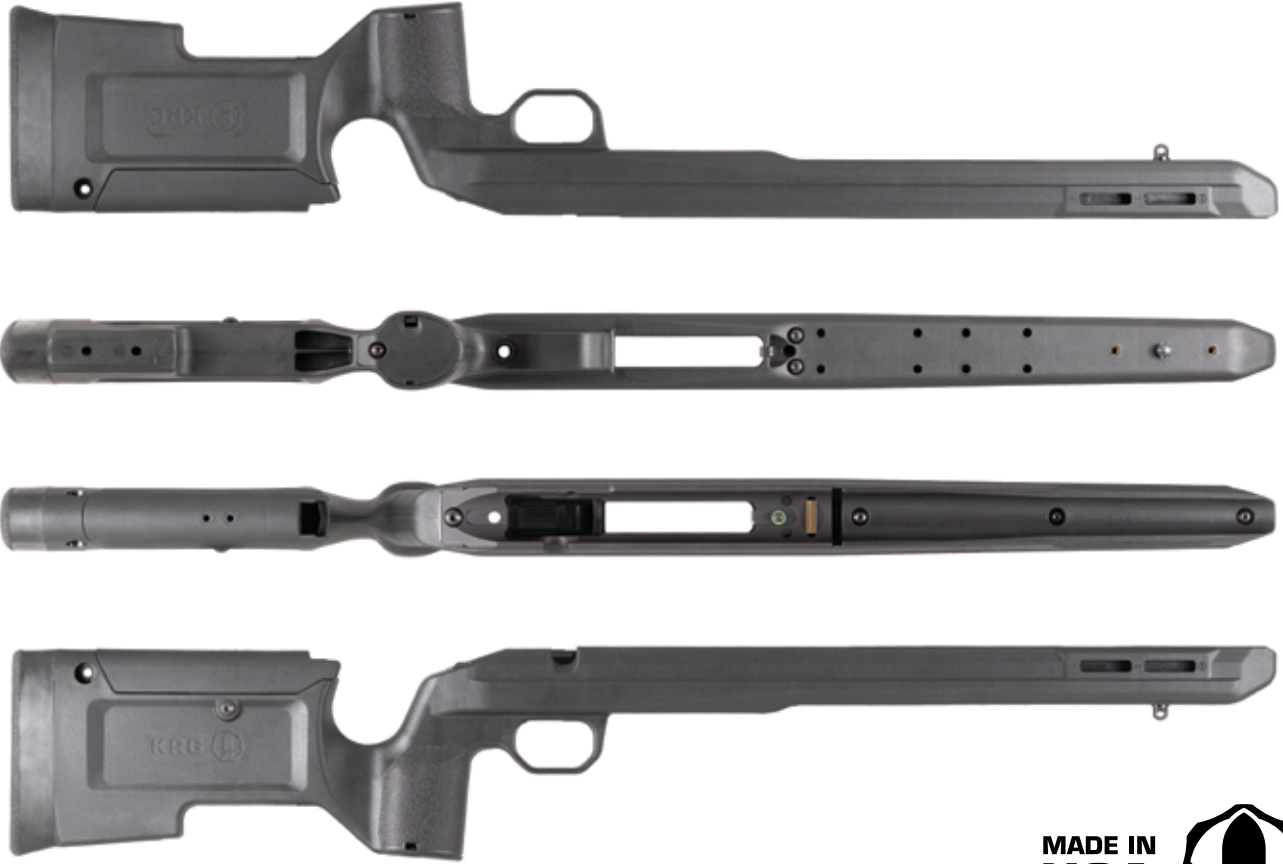
It is available for the following rifles:

- Remington 700 short and long action
- Tikka T3/T3x/CTR short action calibers (using AICS mags only)
- Tikka T3/T3x/CTR short action calibers (using CTR mags only)

- Howa 1500 short action
- Ruger American and Savage SA
- Rimfire: Tikka T1x and CZ-457

ECHO CHASSIS for TIKKA T3/T3x

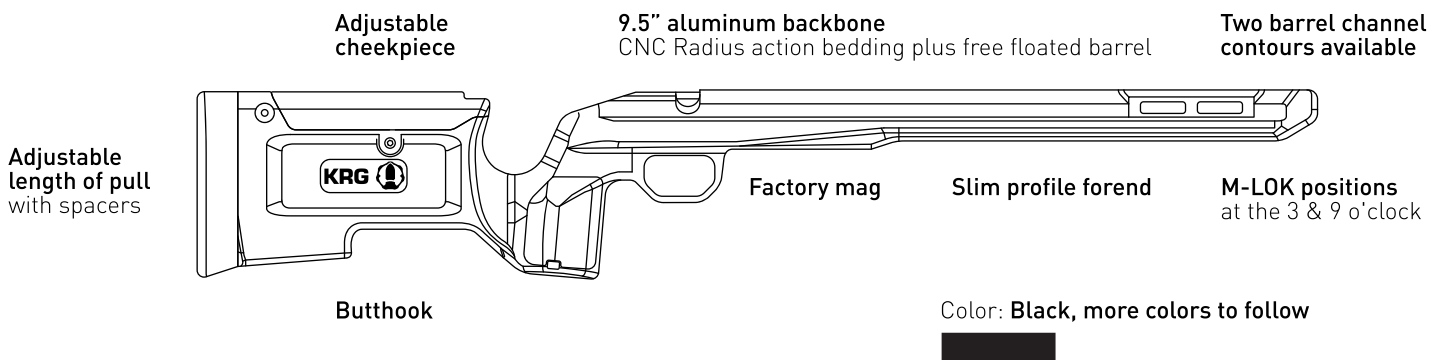
NEW
2024 Q2



**MADE IN
USA**

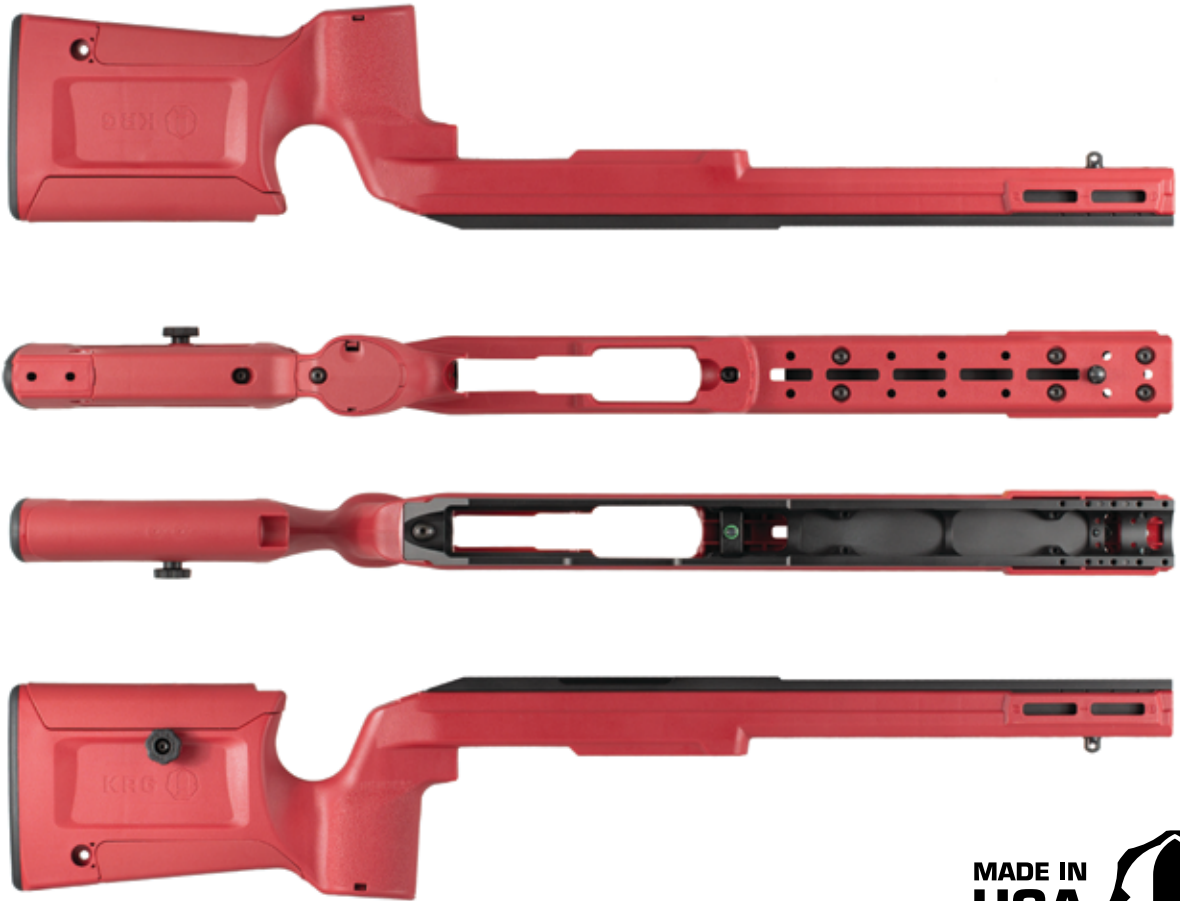


You asked and we listened – KRG proudly introduces the Echo, our first chassis specifically developed to be compatible with Tikka T3 in both short and long action chamberings. The Echo maintains the superior ergonomics of our popular Bravo chassis in a streamlined reinforced polymer unibody. The refined design is lightweight, has fewer parts, and accommodates both short and long action cartridges, making it ideal for long range hunting and general-purpose use. So, whether you're looking to bring our exceptional ergonomics to your factory Tikka, or you just want a solid platform on your next hunt, the KRG Echo chassis will deliver the superior performance you've come to expect from KRG.



It is available for the following rifles:
Tikka T3x Short and Long Action

10/22 BRAVO CHASSIS

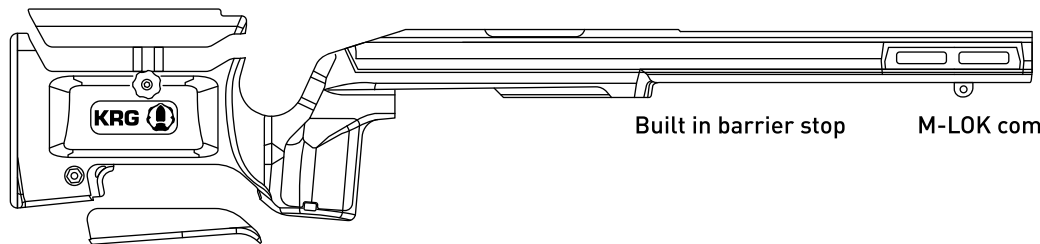


Designed to fit your favorite Ruger 10/22 for that dream build you've always wanted. Featuring the same great ergos as the standard Bravo but with a slightly shorter minimal LOP (~11.25") for shooters of all sizes. For those of you over thinkers out there, don't worry, the cheek piece position is still the same as our standard Bravo.

Adjustable tool-less cheekpiece

Full length aluminum backbone
CNC Radius action bedding plus free floated barrel

11 1/4" minimum LOP



Built in barrier stop

M-LOK compatible

Adjustable length of pull

includes 3 spacers and the hardware to mount either 1, 2, or 3 allowing a max LOP of about 14" more spacers available for longer LOP

Integrated butthook with cover
continuous angled lower surface or a "butthook" configuration

Weight: 2.4 lbs

Color: Black, FDE, Stealth Grey, Crimson Red



It is available for the following rifles:

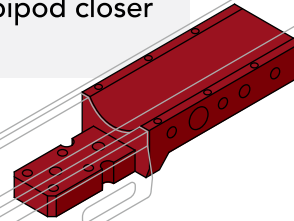
Ruger 10/22

ACCESSORIES

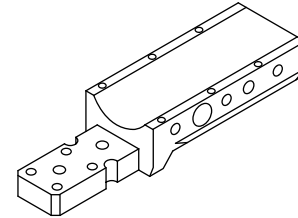
Spigot Mounts – Primarily designed to move the bipod closer to the bore and 4 to 5 inches closer to the muzzle.

compatible with:

Whiskey-3
X-Ray
Bravo

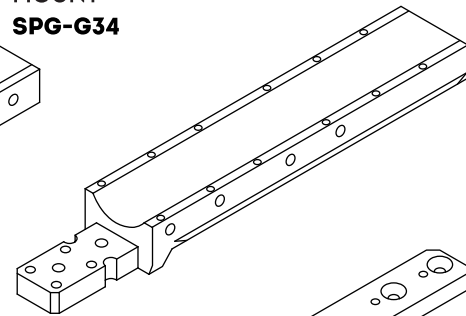
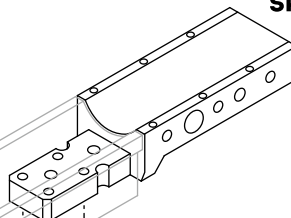


ARCA
SPIGOT
MOUNT
SPG-ARC



ARCA
SPIGOT
MOUNT XL
SPG-ARC-XL

SPIGOT
MOUNT
SPG-G34



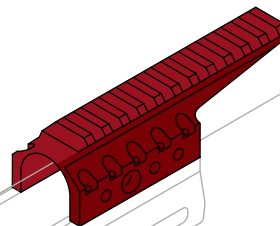
MINIMALIST
SPIGOT
MOUNT
SPG-MIN

**also compatible
with: 10/22 Bravo**

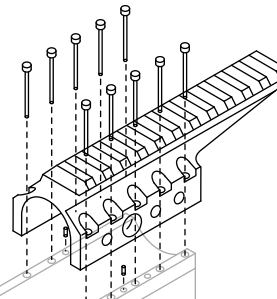
Night Vision Mounts – Provides various mounting options for night vision and thermal clip-on devices.

compatible with:

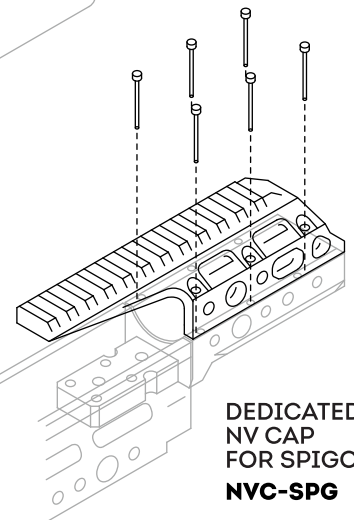
Whiskey-3
X-Ray
Bravo



BACKBONE
MOUNTED
NV CAP
NVC-BKB



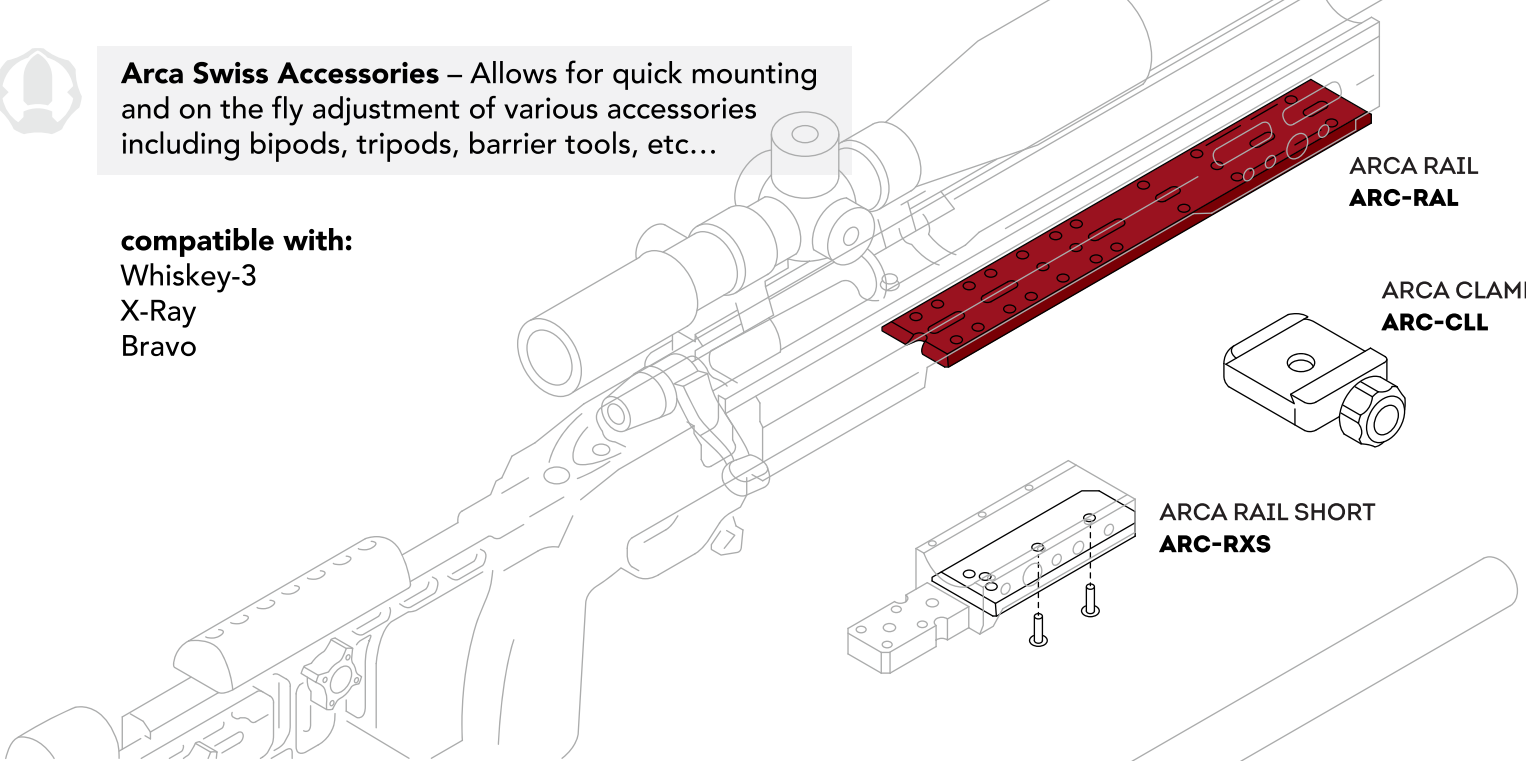
DEDICATED
NV CAP
FOR SPIGOT
NVC-SPG





Arca Swiss Accessories – Allows for quick mounting and on the fly adjustment of various accessories including bipods, tripods, barrier tools, etc...

compatible with:
Whiskey-3
X-Ray
Bravo



ARCA RAIL
ARC-RAL

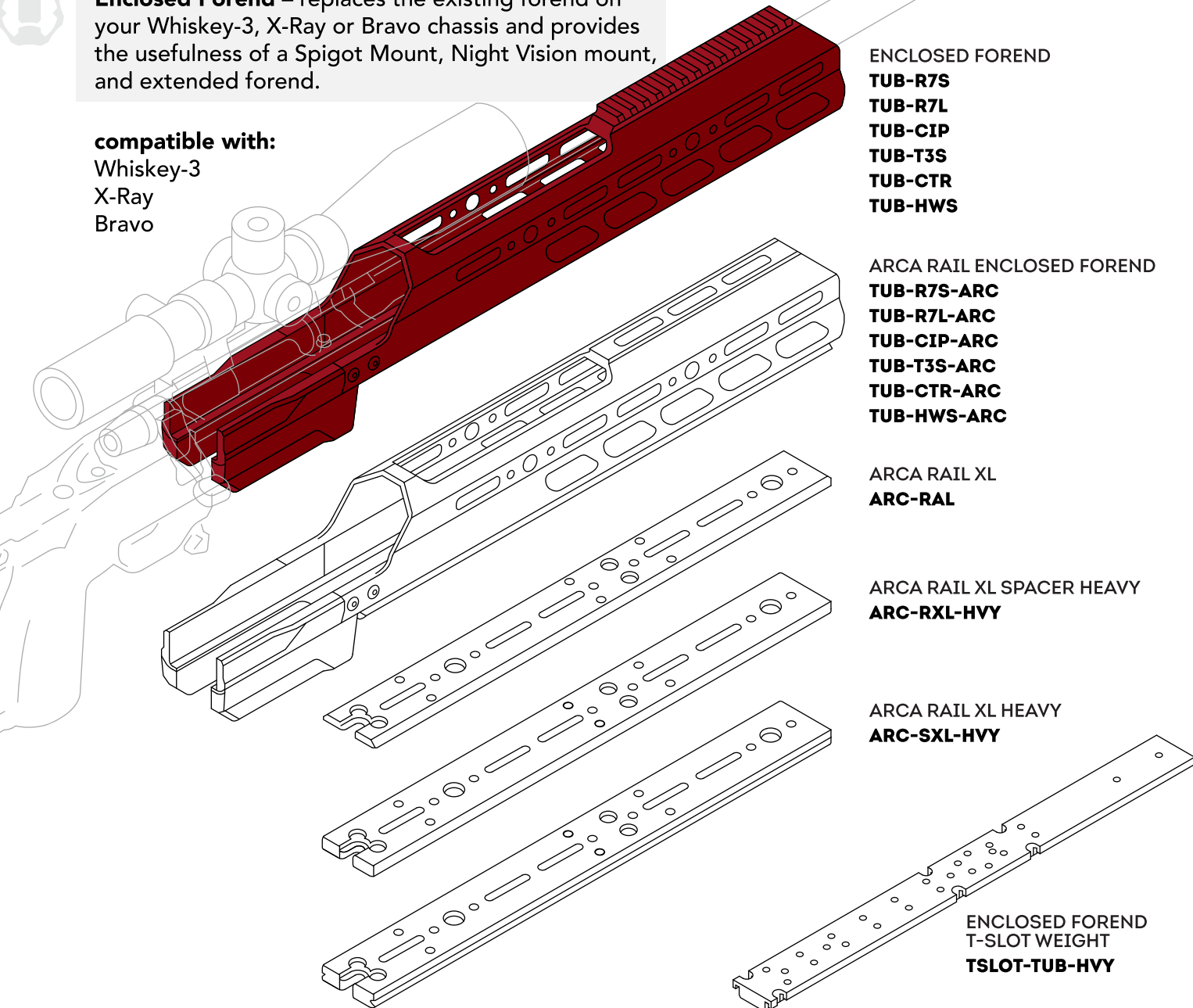
ARCA CLAMP
ARC-CLL

ARCA RAIL SHORT
ARC-RXS



Enclosed Forend – replaces the existing forend on your Whiskey-3, X-Ray or Bravo chassis and provides the usefulness of a Spigot Mount, Night Vision mount, and extended forend.

compatible with:
Whiskey-3
X-Ray
Bravo



ENCLOSED FOREND
TUB-R7S
TUB-R7L
TUB-CIP
TUB-T3S
TUB-CTR
TUB-HWS

ARCA RAIL ENCLOSED FOREND
TUB-R7S-ARC
TUB-R7L-ARC
TUB-CIP-ARC
TUB-T3S-ARC
TUB-CTR-ARC
TUB-HWS-ARC

ARCA RAIL XL
ARC-RAL

ARCA RAIL XL SPACER HEAVY
ARC-RXL-HVY

ARCA RAIL XL HEAVY
ARC-SXL-HVY

ENCLOSED FOREND
T-SLOT WEIGHT
TSLLOT-TUB-HVY

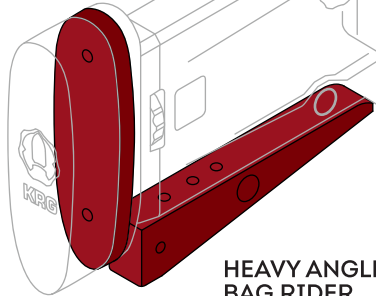


Heavy Accessories – made specifically for those who want to add more weight to their overall set up or to help balance out a heavy contour barrel.

compatible with:

- Whiskey-3
- X-Ray
- Bravo (except for Bag Riders)

HEAVY LOP SPACER
LOP-1PK-HVY



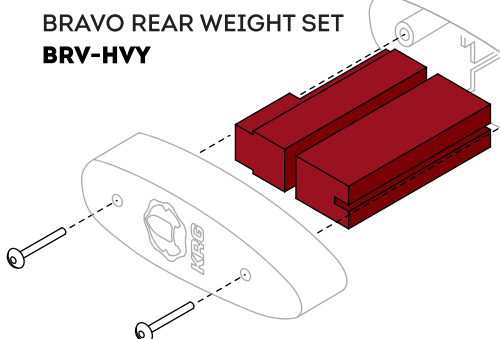
HEAVY ANGLED BAG RIDER
BAG-ANG-HVY



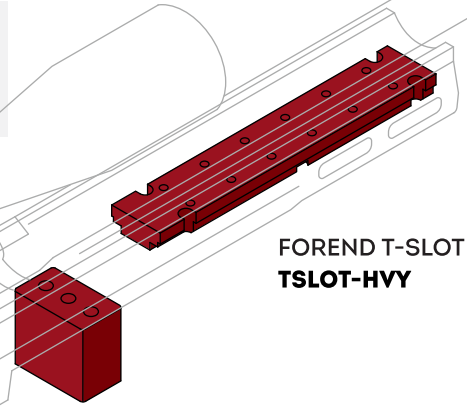
HEAVY FLAT BAG RIDER
BAG-FLT-HVY



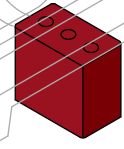
C-4 REAR WEIGHT
C4R-HVY



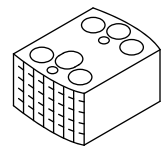
BRAVO REAR WEIGHT SET
BRV-HVY



FOREND T-SLOT WEIGHT
TSLOT-HVY

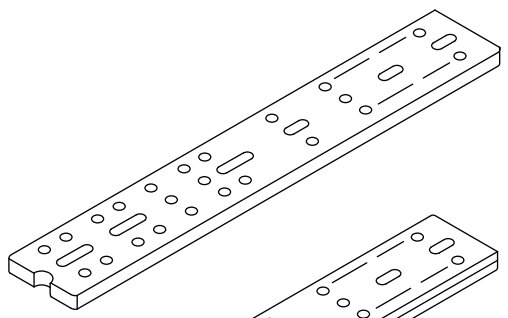


HEAVY BARRIER STOP
BAR-STP-HVY

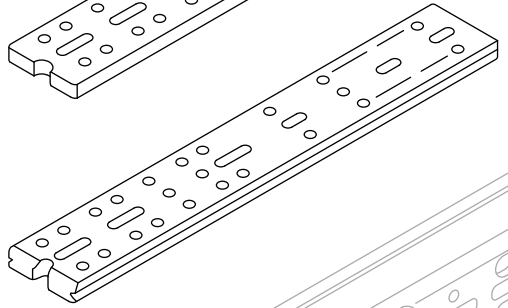


STEEL STOP
STL-STP

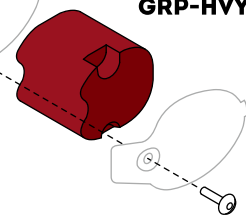
ARCA RAIL SPACER HEAVY
ARC-SPA-HVY



ARCA RAIL HEAVY
ARC-RAL-HVY

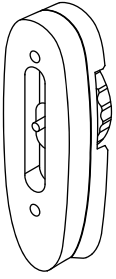


BRAVO GRIP WEIGHT
GRP-HVY



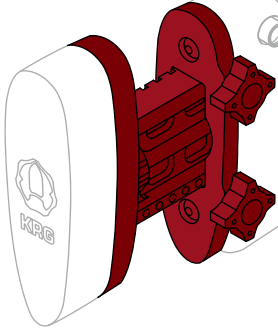


Tool-less LOP and Tool-less Buttpad Height Mechanism –
adds tool-less adjustability to your stock.

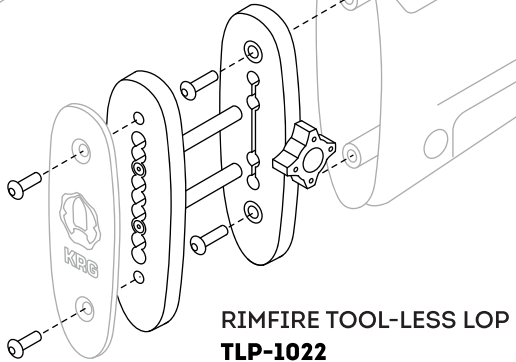
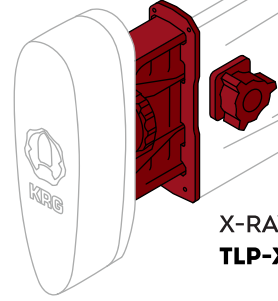


BRAVO TOOL-LESS BUTTPAD HEIGHT MECHANISM
TBH-BRV-MD (POLYMER)
TBH-BRV (ALUMINUM)

BRAVO TOOL-LESS LOP
TLP-BRV



X-RAY TOOL-LESS LOP
TLP-XRY

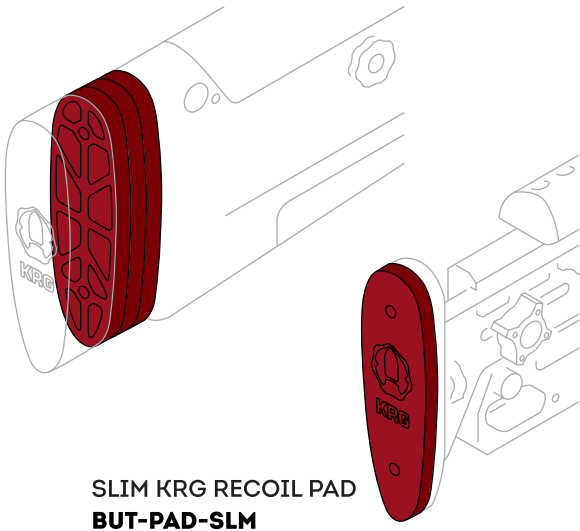


RIMFIRE TOOL-LESS LOP
TLP-1022



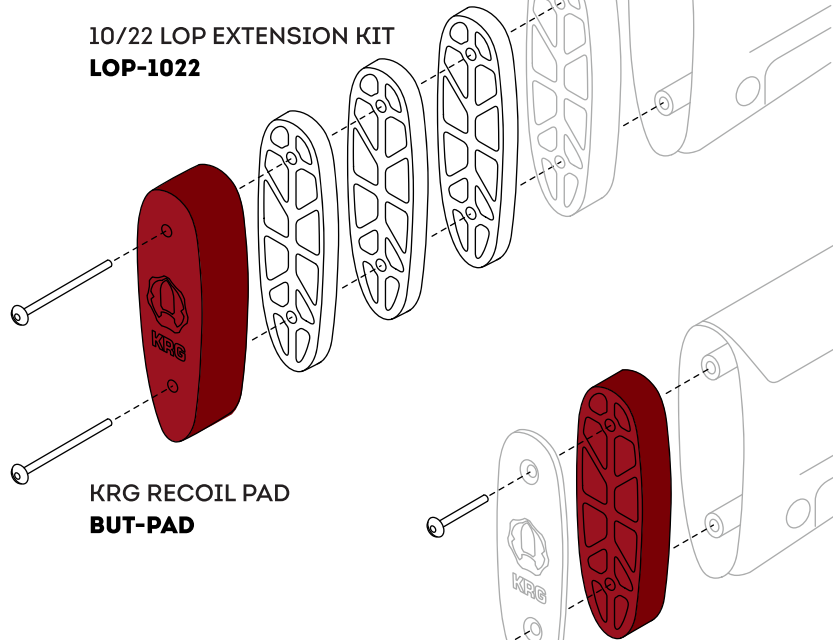
LOP spacers and recoil pads –
adjust your length of pull.

LOP SPACER SET
LOP-123
(included with X-Ray and Bravo Chassis)



SLIM KRG RECOIL PAD
BUT-PAD-SLM

10/22 LOP EXTENSION KIT
LOP-1022



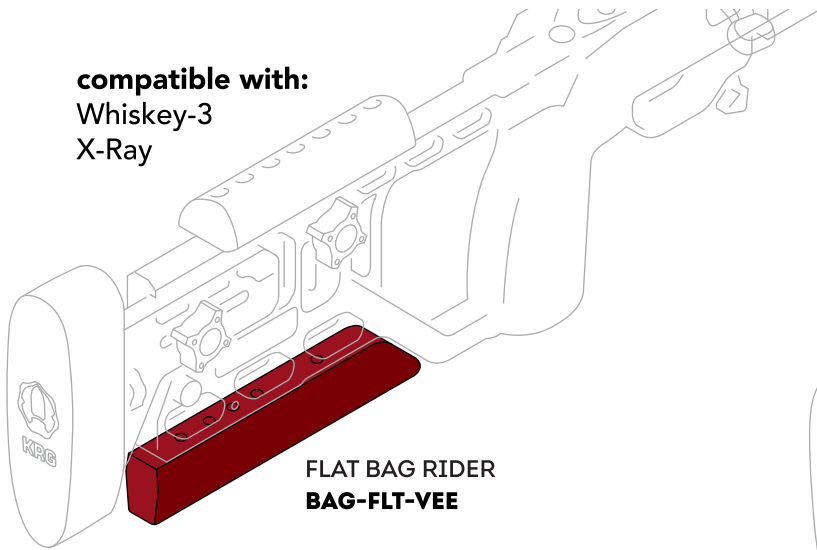
KRG RECOIL PAD
BUT-PAD

LOP SPACER .750
LOP-750
(included with 10/22 Bravo Chassis)

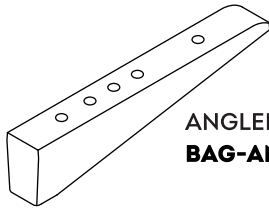


Bag Riders – bag riders can help balance heavy barrels or simply make it more convenient for rear bag use.

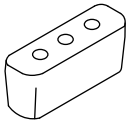
compatible with:
Whiskey-3
X-Ray



FLAT BAG RIDER
BAG-FLT-VEE

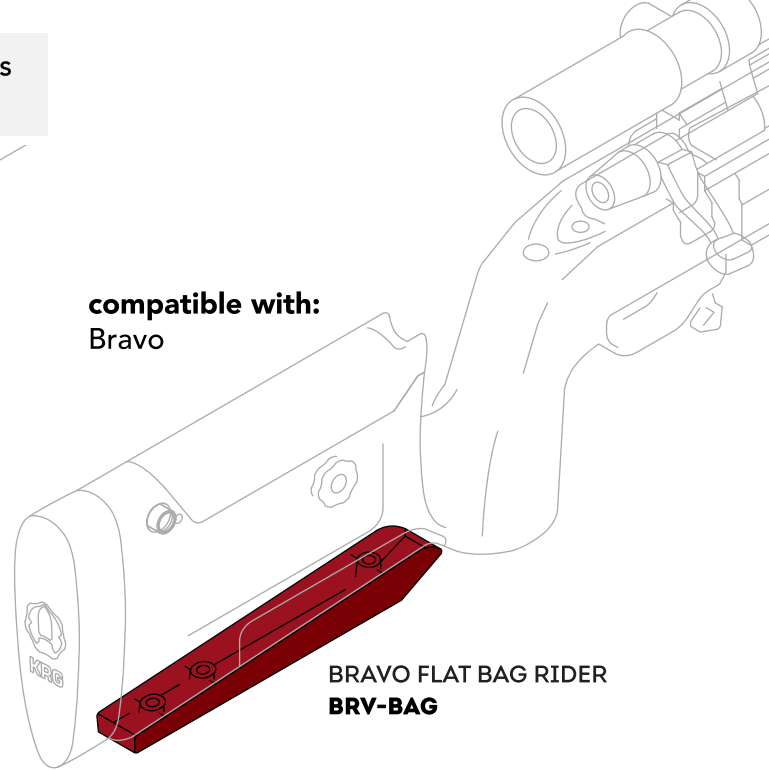


ANGLED BAG RIDER
BAG-ANG-MD



LOW PROFILE (STANDARD) BAG RIDER
BAG-STD

compatible with:
Bravo

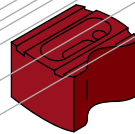
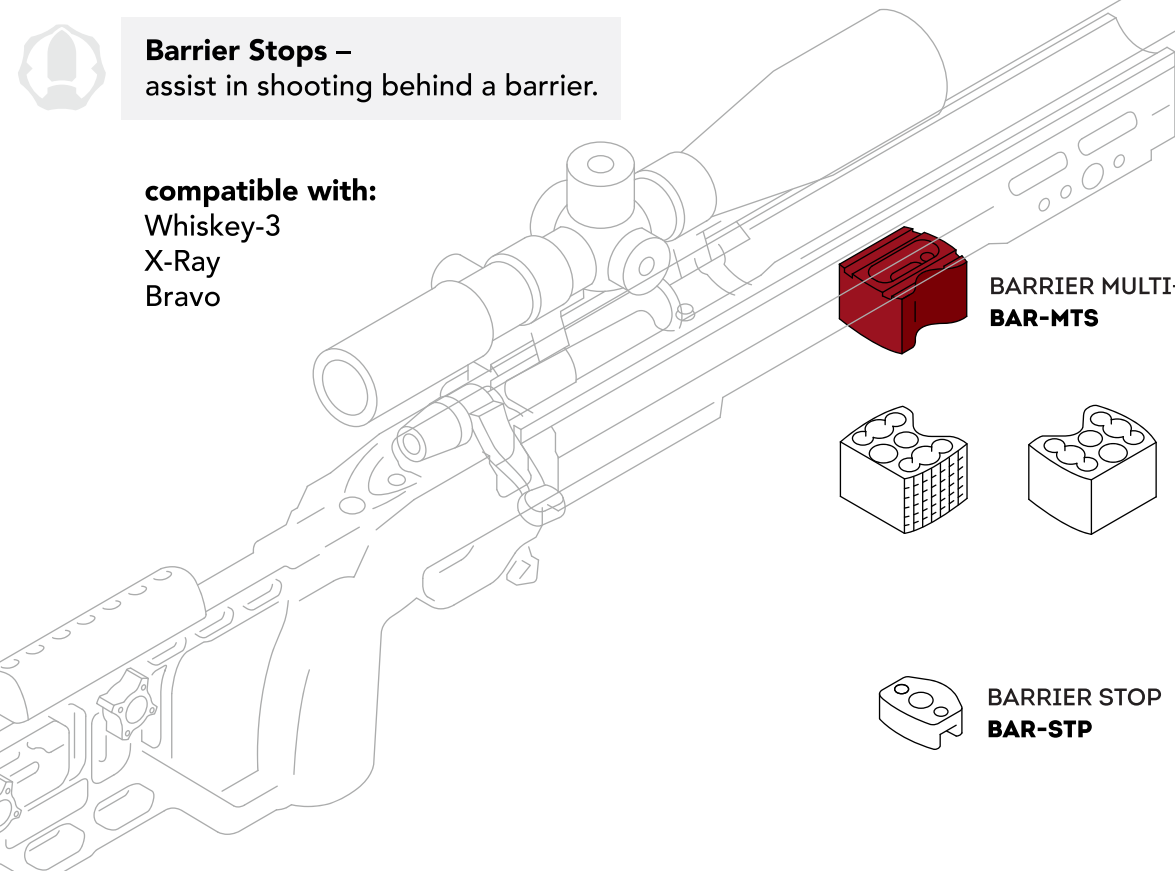


BRAVO FLAT BAG RIDER
BRV-BAG

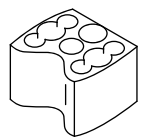
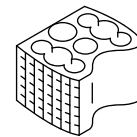
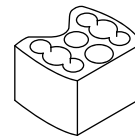
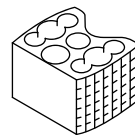


Barrier Stops – assist in shooting behind a barrier.

compatible with:
Whiskey-3
X-Ray
Bravo



BARRIER MULTI-TOOL
BAR-MTS



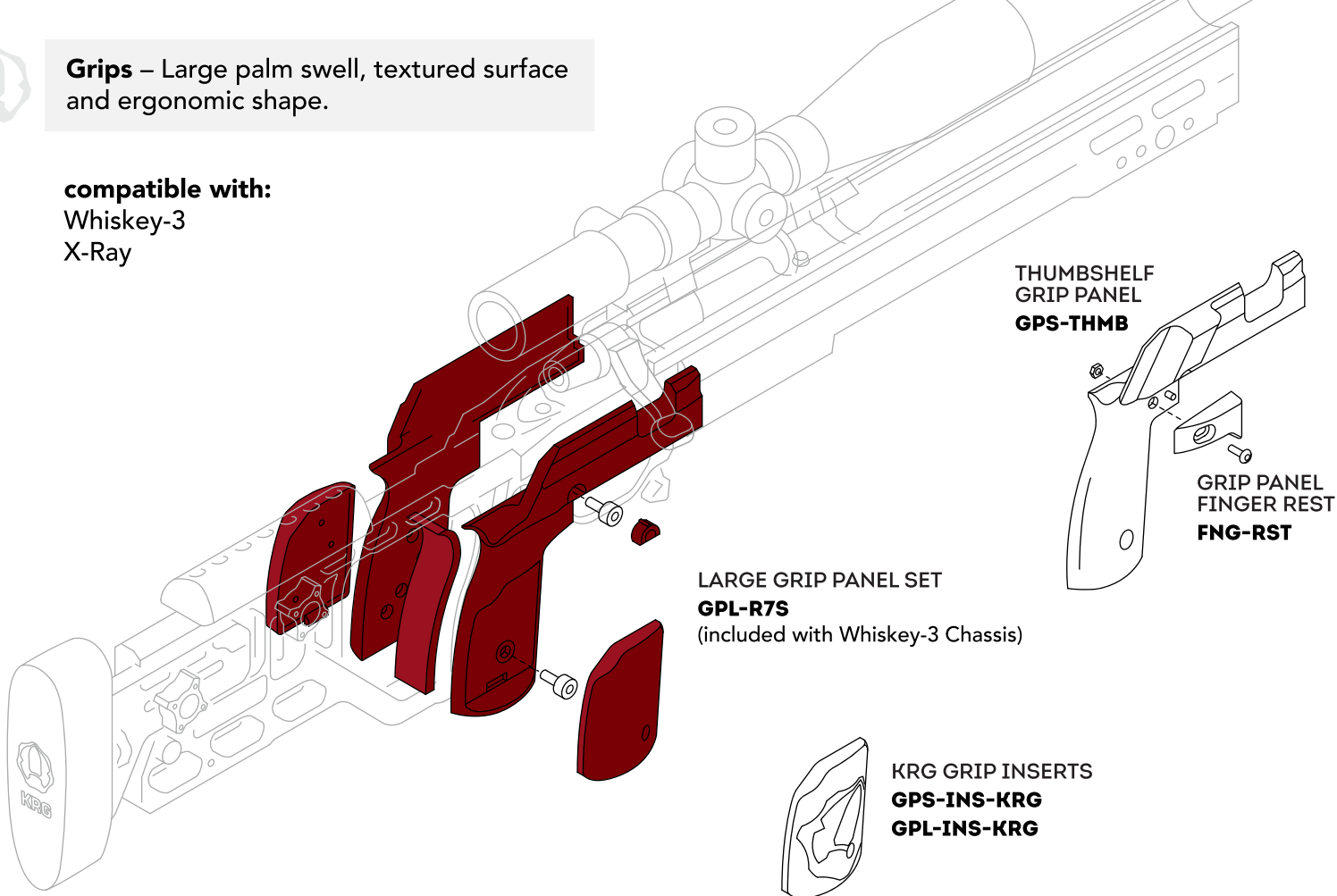
BARRIER STOP
BAR-STP



Grips – Large palm swell, textured surface and ergonomic shape.

compatible with:

Whiskey-3
X-Ray



THUMBSHELF
GRIP PANEL
GPS-THMB

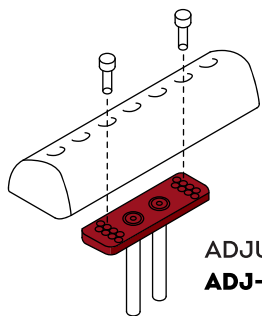
GRIP PANEL
FINGER REST
FNG-RST

LARGE GRIP PANEL SET
GPL-R7S
(included with Whiskey-3 Chassis)

KRG GRIP INSERTS
GPS-INS-KRG
GPL-INS-KRG



Cheekpieces and accessories

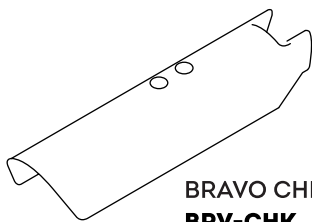


ADJUSTABLE CHEEKPIECE MOUNT
ADJ-CHK



CHEEKPIECE CLASSIC
CHK-OG

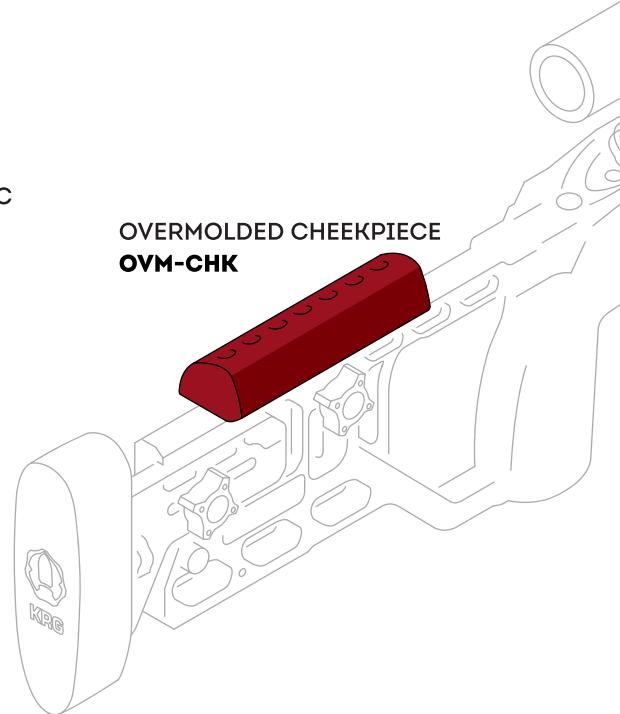
OVERMOLDED CHEEKPIECE
OVM-CHK



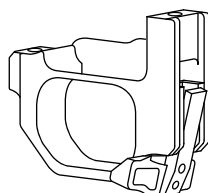
BRAVO CHEEKPIECE
BRV-CHK



OVERMOLDED
BRAVO CHEEKPIECE
OVM-BRV-CHK

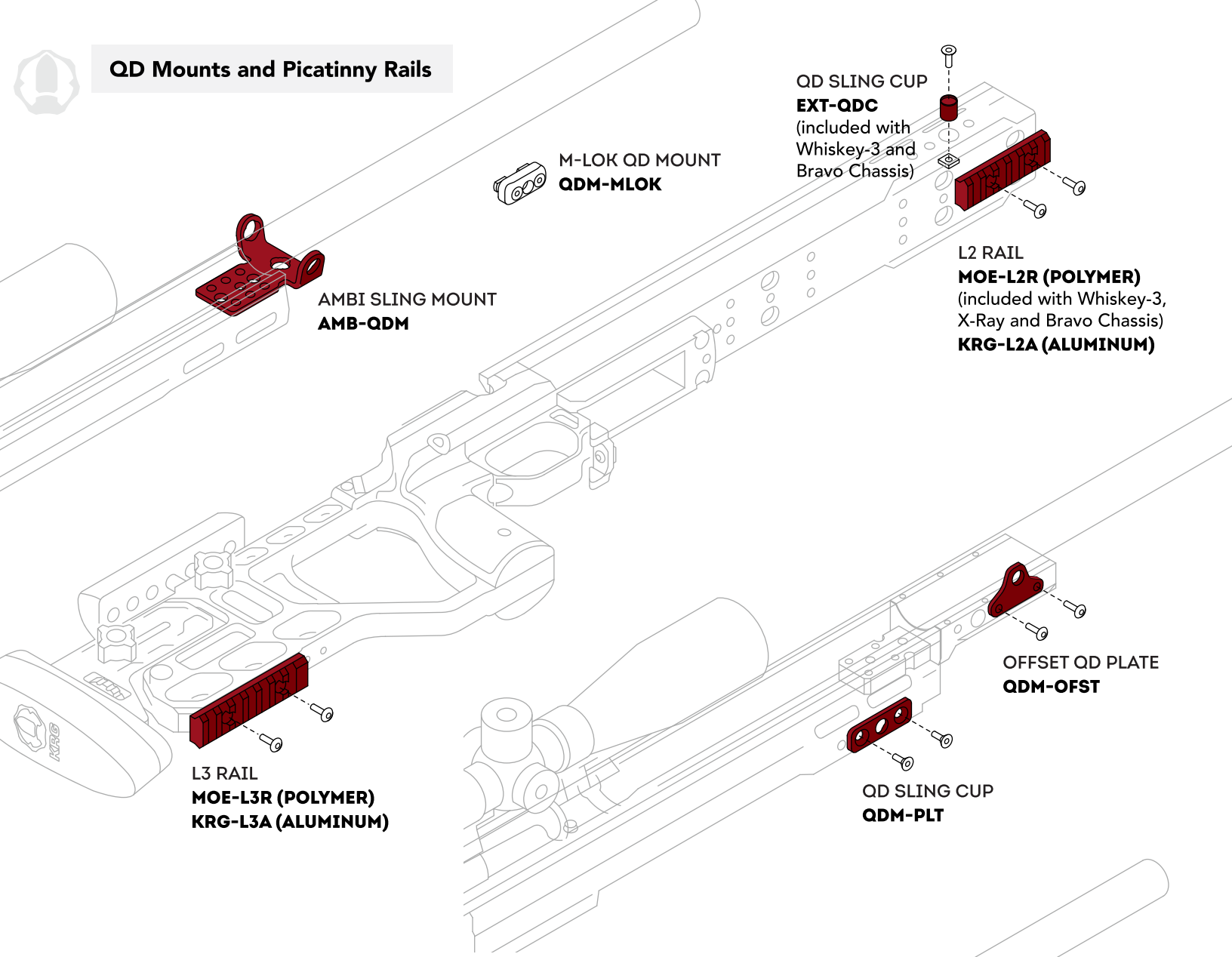


Trigger Guard – featuring adjustable magazine catch



ADJUSTABLE MAG CATCH TRIGGER GUARD
GRD-R7S/T3S-ADJ

QD Mounts and Picatinny Rails



M-LOK QD MOUNT
QDM-MLOK

QD SLING CUP
EXT-QDC
(included with
Whiskey-3 and
Bravo Chassis)

L2 RAIL
MOE-L2R (POLYMER)
(included with Whiskey-3,
X-Ray and Bravo Chassis)
KRG-L2A (ALUMINUM)

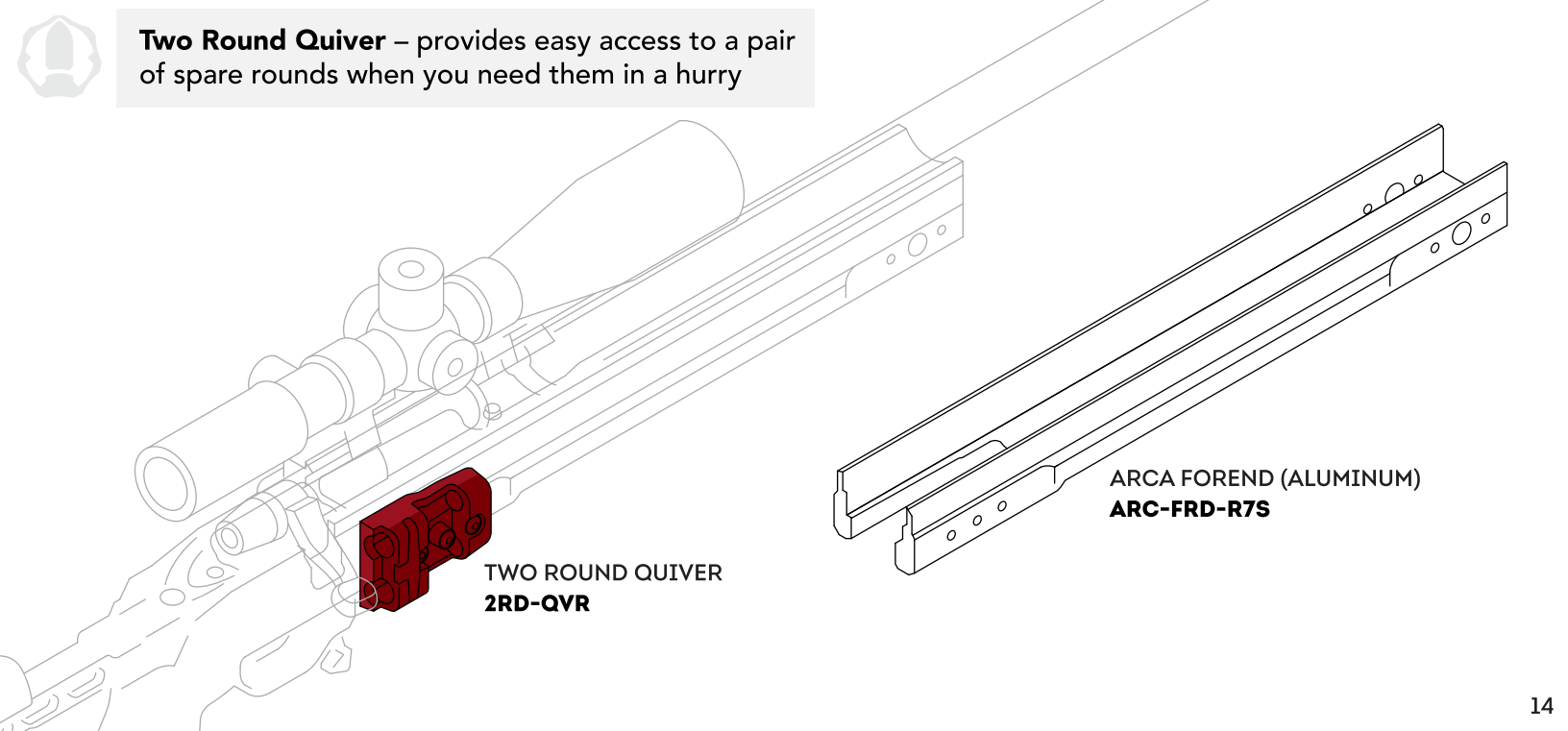
AMBI SLING MOUNT
AMB-QDM

L3 RAIL
MOE-L3R (POLYMER)
KRG-L3A (ALUMINUM)

OFFSET QD PLATE
QDM-OFST

QD SLING CUP
QDM-PLT

Two Round Quiver – provides easy access to a pair of spare rounds when you need them in a hurry

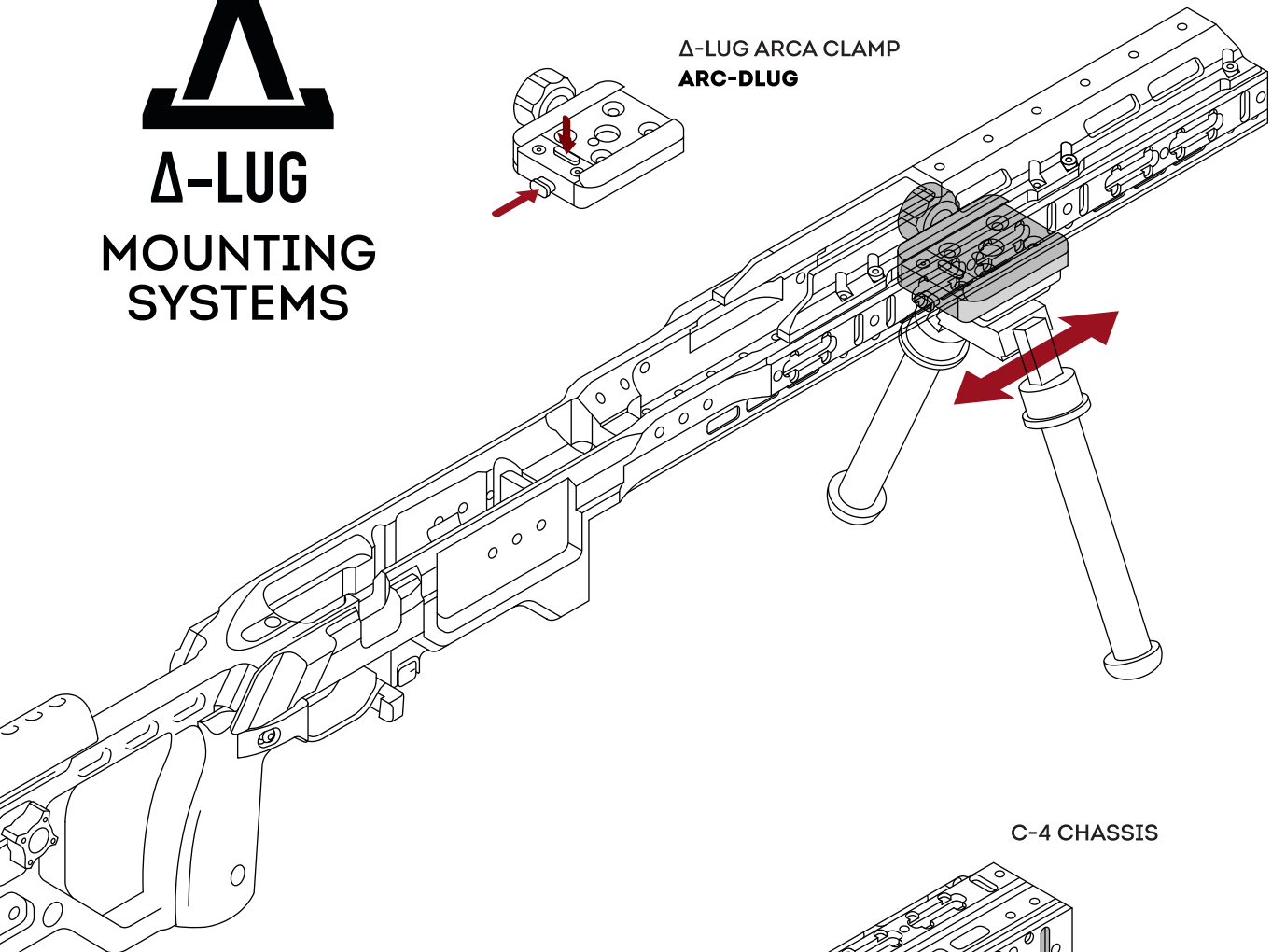


TWO ROUND QUIVER
2RD-QVR

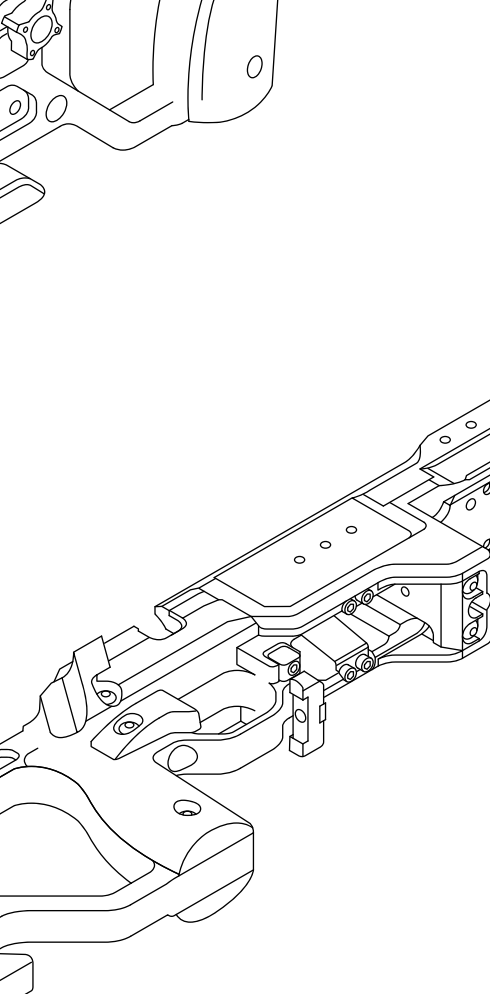
ARCA FOREND (ALUMINUM)
ARC-FRD-R7S



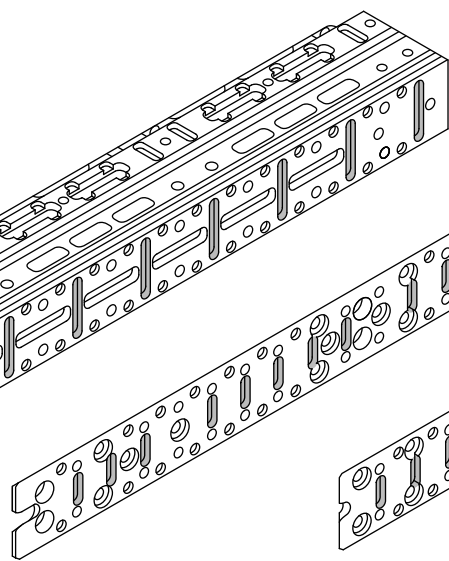
Δ-LUG MOUNTING SYSTEMS



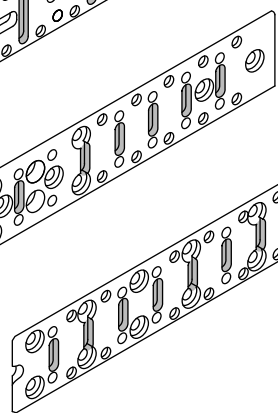
Δ-LUG ARCA CLAMP
ARC-DLUG



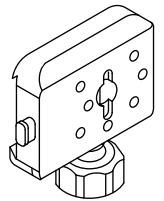
C-4 CHASSIS



ARCA RAIL XL
ARC-RAL



ARCA RAIL
ARC-RAL



Δ-LUG ARCA CLAMP
ARC-DLUG