

# CZ Mag Well

## for Bravo and X-Ray CZ-457 Chassis



### Contents of Package:

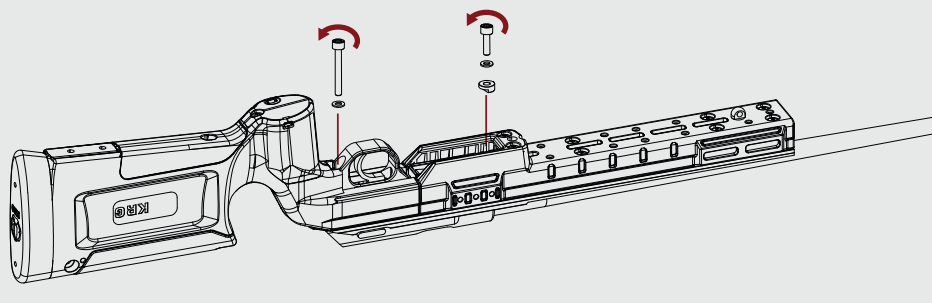
- 1ea CZ Mag Well (Polymer)



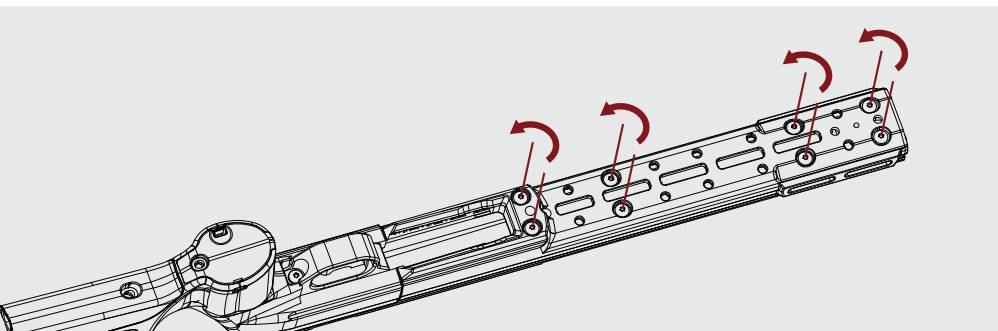
**Safety Warning:** Before you attempt any installation, make sure your rifle is unloaded. Also, before starting remove the bolt and magazine from the rifle.

## Installation Instructions:

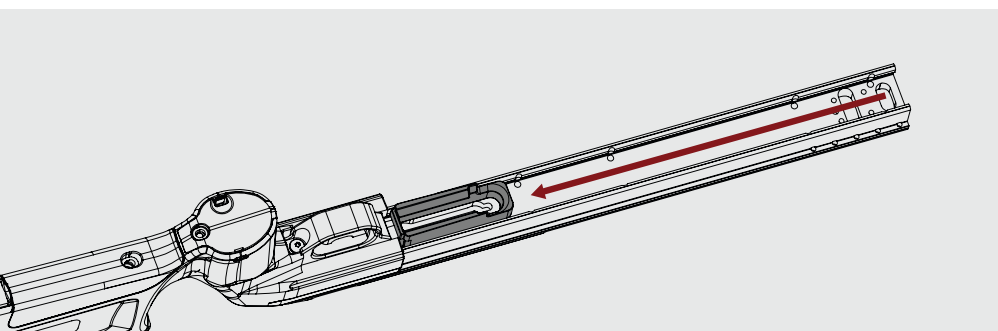
**Step 1:** Remove the barreled action from the chassis by removing **front and rear action screws**.



**Step 2:** Separate the polymer forend from the aluminum backbone by first removing the **8 forend screws** using a **3mm hex key**. Then, pull the forend by the mag well end, away from the chassis.



**Step 3:** Slide down the **CZ Mag Well** down the backbone channel, flat end first, round end toward muzzle as seen below. Align the opening of the **CZ Mag Well** with the backbone magazine inlet.



**Step 4:** Reinstall the chassis forend and install the barreled action into the chassis. Torque action screws to spec.